

# DV5200 Series

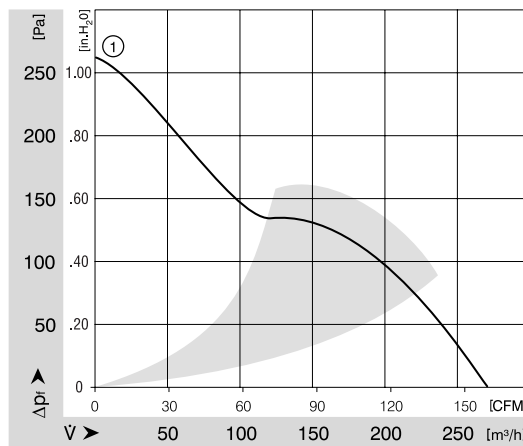
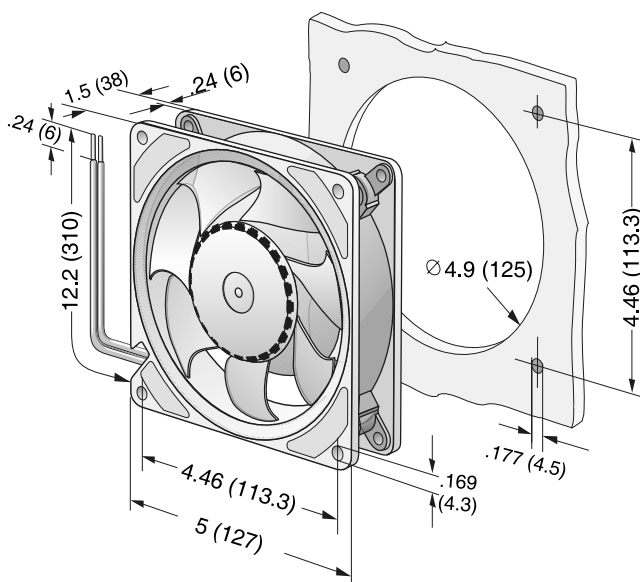
Tubeaxial

127x127x38mm



- DC fans with electronically commutated external rotor motor. Fully integrated commutation electronics. With electronic protection against reverse polarity, blocking and overloading.
- Metal flange. Impeller of fiber-glass reinforced plastic PA. Housing of fiber-glass reinforced PBT. Metal housing optional.
- Mounting from either face using four 4.3 mm holes.
- Air exhaust over struts. Rotational direction CCW looking at rotor.
- Electrical connection via leads AWG 22, TR 64. Stripped and tinned ends. Housing ground lug for screw M4 x 8 (TORX).
- UL, CSA, VDE approvals on most models, please contact application engineering.

Part Number	Curve	CFM @ 0	VDC	Volt. Range	Power (W)	dBA	Max Amb. Temp C	Bearing Type	Speed (RPM)	Wgt. (lbs)
DV5212N	1	158.9	12	9 to 15	21	56	65	Ball	5000	1.08
DV5214N	1	158.9	24	16 to 30	21	56	65	Ball	5000	1.08
DV5218N	1	158.9	48	36 to 60	21	56	65	Ball	5000	1.08



**ebmpapst**

e-mail: [sales@us.ebmpapst.com](mailto:sales@us.ebmpapst.com) · TEL: 860-674-1515 · FAX: 860-674-8536

ebm-papst Inc., 100 Hyde Road, Farmington, CT 06034 USA

ebm-papst Inc., 2006 © ebm-papst Inc. reserves the right to change any specifications or data without notice