

RLF100 Series

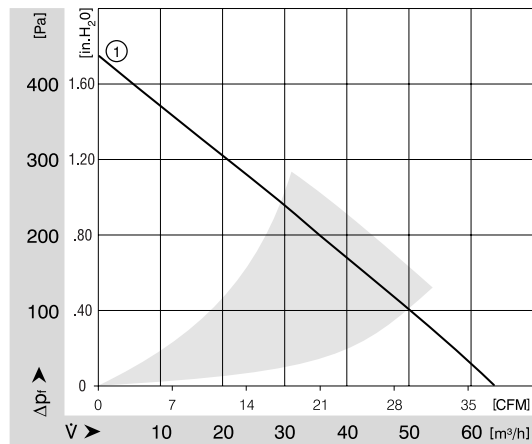
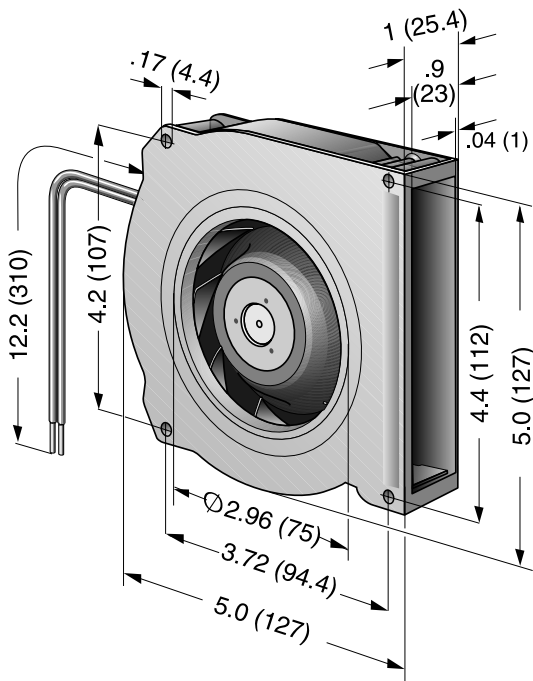
Flatpak

127x127x25mm



- DC radial blower with electronically commutated external rotor motor. Fully integrated commutation electronics.
- With electronic protection against reverse polarity and overloading.
- Housing and blower wheel of fiberglass reinforced plastic.
- Radial direction of flow, direction of motor as seen from right.
- Electrical connection via 2 leads AWG 22, TR 64. Stripped and tinned ends.
- UL, CSA, and VDE in registration.

Part Number	Curve	CFM @ 0	VDC	Volt. Range	Power (W)	dBA	Max. Amb. Temp C	Bearing Type	Features	Wgt. (lbs)
RLF100-11/12	1	37.7	12	8 to 15	8.0	60	75	Ball	Leads	0.71
RLF100-11/14	1	37.7	24	6 to 30	8.0	60	75	Ball	Leads	0.71
RLF100-11/18	1	37.7	48	36 to 60	8.0	60	75	Ball	Leads	0.71



ebmpapst

e-mail: sales@us.ebmpapst.com · TEL: 860-674-1515 · FAX: 860-674-8536

ebm-papst Inc., 100 Hyde Road, Farmington, CT 06034 USA

ebm-papst Inc., 2006 © ebm-papst Inc. reserves the right to change any specifications or data without notice