

G3G180 Series Centrifugal Blower

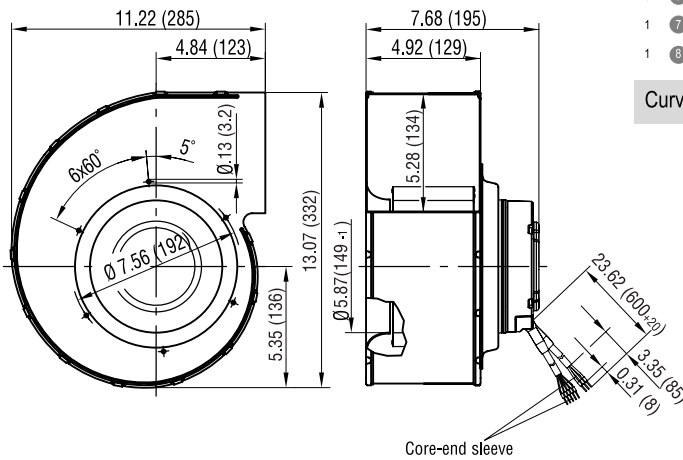
Ø 180mm EC-Systems™



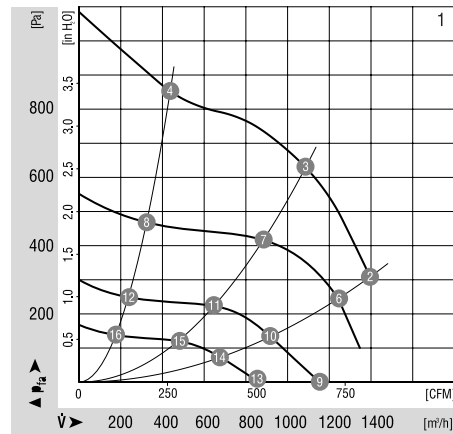
- AC input, single inlet, forward-curved centrifugal blower with integrated electronics.
- Cable exit: variable
- Scroll housing and impeller made of galvanized sheet steel.
- Variable mounting position.
- Direction of rotation is CW as seen from intake side.
- Maintenance-free ball bearings.
- Technical features: integrated electronics, PWM/Linear input, alarm relay.
- UL and CSA approvals on request.

Part Number	Curve	CFM @ 0	VAC	Hertz	Power (W)	dBA	Max Amb. Temp. C	Bearing Type	Features	Wgt. (lbs)
G3G180-AA35-71	1	818.1	200-277	50/60	580	78	60	Ball	Leads	13.23

	n [RPM]	P ₁ [W]	I [A]	η _{LL} [%]	L _{pA} [dBA]		n [RPM]	P ₁ [W]	I [A]	η _{LL} [%]	L _{pA} [dBA]	
1	1	--	--	--	--	1	9	1600	230	1.40	--	72
1	2	2450	580	3.50	49	78	10	1600	160	1.00	49	68
1	3	2640	485	2.90	60	77	11	1600	108	0.70	60	65
1	4	2900	270	1.70	46	74	12	1600	46	0.30	46	60
1	5	--	--	--	--	--	13	1200	97	0.60	--	65
1	6	2200	420	2.50	49	76	14	1200	68	0.50	49	60
1	7	2200	280	1.70	60	72	15	1200	46	0.30	60	57
1	8	2200	118	0.80	46	67	16	1200	20	0.20	46	52



Curve



ebmpapst

e-mail: sales@us.ebmpapst.com · TEL: 860-674-1515 · FAX: 860-674-8536

ebm-papst Inc., 100 Hyde Road, Farmington, CT 06034 USA

ebm-papst Inc., 2006 © ebm-papst Inc. reserves the right to change any specifications or data without notice