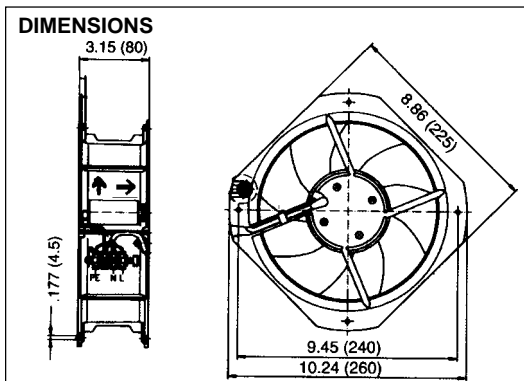
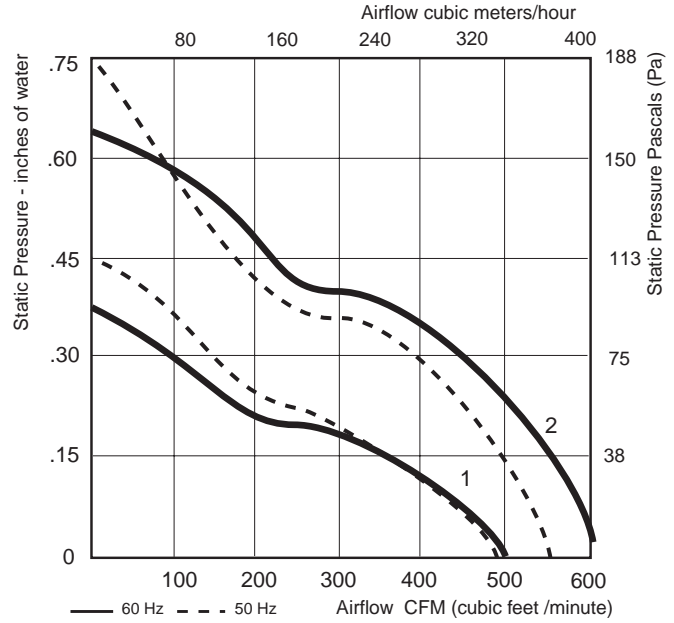


225 x 80mm (8.9" X 3.2") AC FAN

W2E200



8.86" X 8.86" X 3.15" AC Fan, All Metal, Air Exhaust – Over struts

Curve	PART NUMBER	Type of Bearing	AC Volts	Hertz	Watts	CFM @ 0"	Temp. Max °C	Wgt. (oz)	Features	Approvals*		
										UL	CSA	VDE
1	W2E200-HH82-01	Ball	115	50/60	60	500	56	75	Terminal Block	√	√	√
1	W2E200-HH64-01	Ball	230	50/60	60	500	56	75	Terminal Block	√	√	√
2	W2E200-HH86-01	Ball	115	50/60	80	607	61	75	Terminal Block	√	√	√
2	W2E200-HH38-01	Ball	230	50/60	80	607	61	75	Terminal Block	√	√	√

UL yellow card E54522, CSA file LR43145, VDE file 1718

CONSTRUCTION MOUNTING & CONNECTION

Mounting: From either face using four .177" (4.5mm) holes.
Weight: 70 oz. (2000g)
Housing: Metal with metal impeller

Capacitor: Included, mounted on unit within envelope
Accessory: Grill guard # 78128-2-4039