

AC6200N Series

Tubeaxial

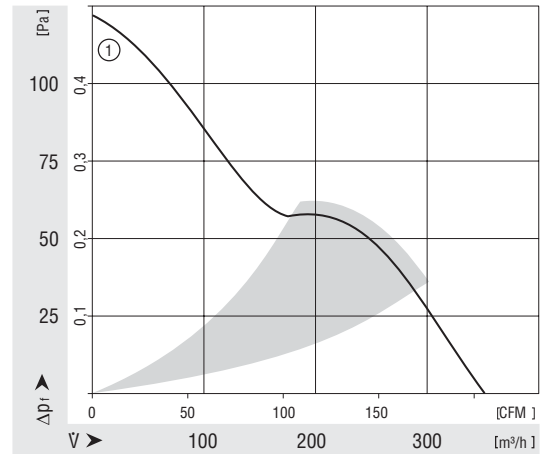
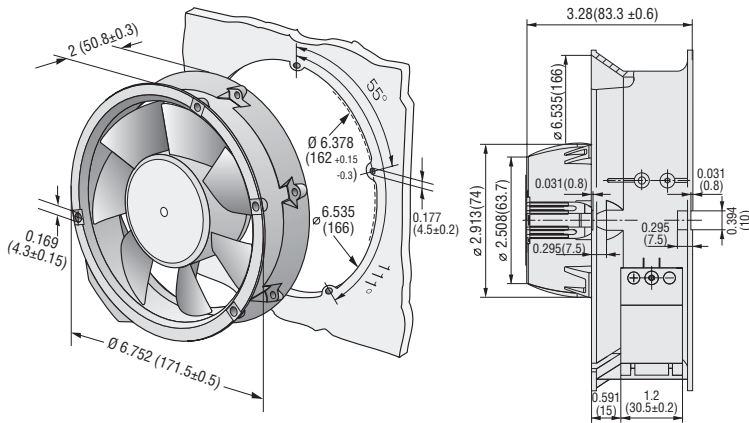
6 in. - ACmaxx



- Introducing an extension of our AC product line, the ACmaxx series accepts a wide input voltage and has the high efficiency and long life of a brushless DC fan.
- Metal fan housing, impeller made of plastic.
- External rotor motor with completely integrated drive and control electronics.
- Safety UL; CSA; VDE; CCC; CE

- Open-loop speed control, tach and alarm outputs - as well as coatings to increase protection against environmental influences - available upon request.
- Air exhaust over struts. Direction of rotation CCW looking at rotor.
- 22 AWG leads
- Startup and locked rotor current do not exceed maximum operating current.

Part Number	Curve	CFM @ 0	Nominal VAC	Volt. Range	Hertz	Power (W)	dBA	Max Amb. Temp C	Bearing Type	Speed (RPM)	Features	Wgt. (lbs)
AC6200NM	1	206	115 /230	85 ... 265	50 / 60	14	50	70	Ball	2850	Leads	1.98



ebmpapst