

3400NV Series

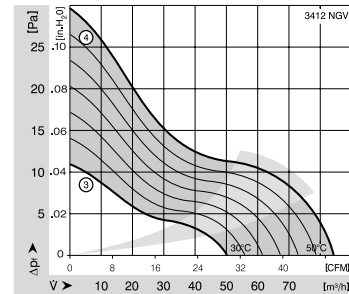
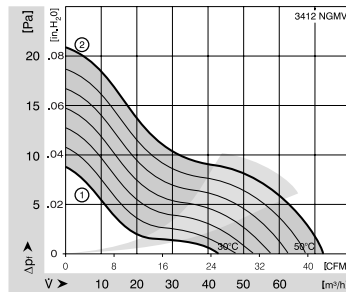
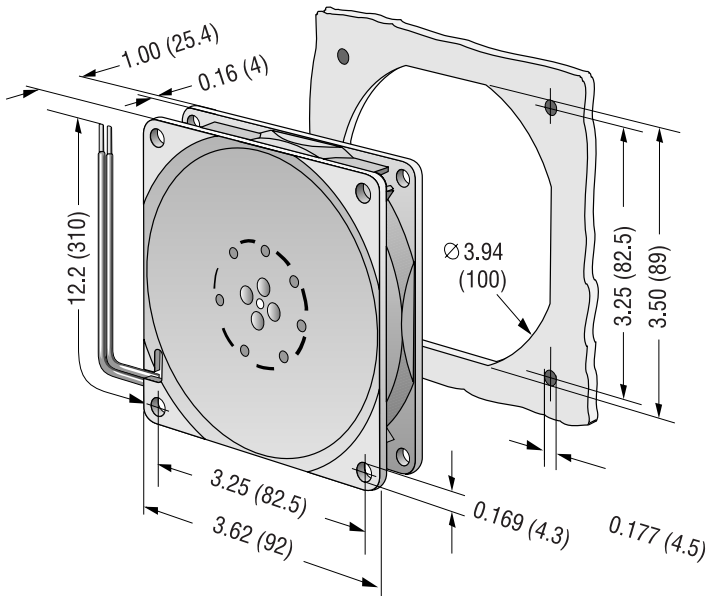
Tubeaxial

92x92x25mm VARIOFAN



- DC fans with electronically commutated external rotor motor. Fully integrated commutation electronics.
- With electronic protection against reverse polarity, blocking and overloading; partially impedance protected.
- Temperature sensor (LZ370) must be ordered separately.
- Mounting from either face using four 4.3 mm holes.
- Fan of fiberglass reinforced plastic, PBTP housing, PA impeller.
- Air exhaust over struts. Rotational direction CCW looking at rotor.
- Electrical connection via 3 leads AWG 24, TR 64. Stripped and tinned ends.
- UL, CSA, VDE approvals on some models, please contact application engineering.

Part Number	Curve	CFM @ 0	VDC	Volt. Range	Power (W)	dBa	Max Amb. Temp. C	Bearing Type	Features	Wgt. (lbs)
3412NGMV	30°C	1	25.9	12	1.5	14	70	Sintec	Leads	0.22
	50°C	2	42.4							
3412NGV	30°C	3	29.4	12	1.6	16	70	Sintec	Leads	0.22
	50°C	4	49.4							



ebmpapst

e-mail: sales@us.ebmpapst.com · TEL: 860-674-1515 · FAX: 860-674-8536

ebm-papst Inc., 100 Hyde Road, Farmington, CT 06034 USA

ebm-papst Inc., 2006 © ebm-papst Inc. reserves the right to change any specifications or data without notice