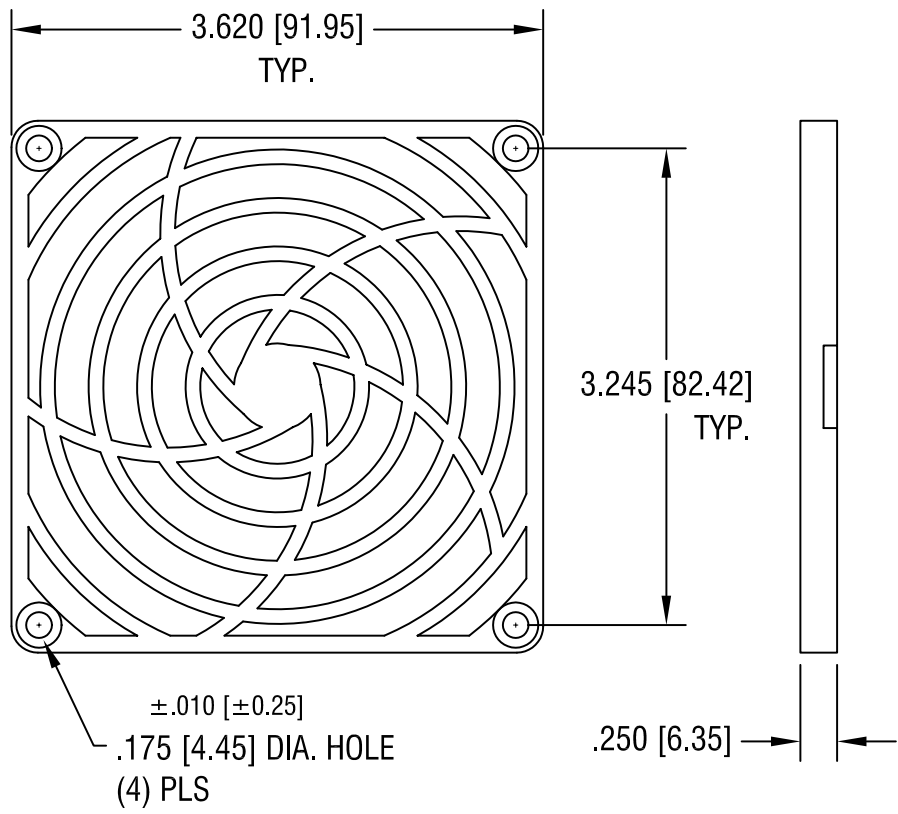


THIS DOCUMENT IS THE PROPERTY OF
KEYSTONE ELECTRONICS CORP. AND
SHALL NOT BE REPRODUCED, DISTRIBUTED
OR USED AS A BASIS FOR MANUFACTURE
WITHOUT PRIOR WRITTEN PERMISSION
FROM KEYSTONE ELECTRONICS CORP.



KEYSTONE ELECTRONICS CORP.			
ASTORIA, N.Y. 11105-2017			
PART NAME			
STANDARD FAN GUARD			
MATERIAL			
ABS UL 94V-0			
FINISH		DRN BY	DATE
-		BOONE	10.17.97
		APP'D	SCALE
			.75X
TOLERANCES	INCH [MM]	CODE	DWG NO.
DECIMAL	± .020 [± 0.50]	C/M	8462
ANGULAR	± 1°		
UNLESS OTHERWISE SPECIFIED			

7.31.00	CHANGE AS PER ECN 00-072	A
DATE	DESCRIPTION	REV.