

1418 Series Single Door Freestanding Enclosures - NEMA 12

Single or Dual Access

Industrial Enclosures

Freestanding Enclosures



**Panel
Sold
Separately**



Application

- Designed to house electrical, electronic, hydraulic or pneumatic controls with provision for panel mounting or rack mounting of equipment.
- Provides a degree of protection from falling dirt, dust, oil and water.
- Available with front access only or both front and rear access.
- A variety of inner panels, rack mounting rails and swing out frames are available to provide flexibility in mounting arrangements.

Standards

- UL 508 Type 12
- CSA Type 12
- **Complies with**
 - NEMA Type 12
 - IEC 60529, IP54

Construction

- Formed 12 gauge steel.
- Smooth, continuously welded seams without knockouts, cutouts or holes.
- Lifting eyes provide for easy enclosure handling.
- Doors are supported with heavy gauge continuous hinges.
- Doors are secured with a three point latch and operated with a key locking automotive type handle.
- Latch rods are equipped with rollers for easier door closing.
- Oil resistant gaskets are permanently secured and mechanically retained.
- Provision for light kit mounting.
- Mounting channels are welded on the inside of the enclosure for mounting of optional inner panels or rack equipment rails.
- A grounding stud is provided in the enclosure and a bonding stud is provided on the door.
- A literature pocket is provided for the inside of the door (Two pockets are provided for dual access units).

Finish

- Cover and enclosure are finished in recoatable smooth ANSI 61 gray powder coating on the outside, with white powder coating on the inside.
- Optional inner panels, rails, frames and supports are available in white powder coating.

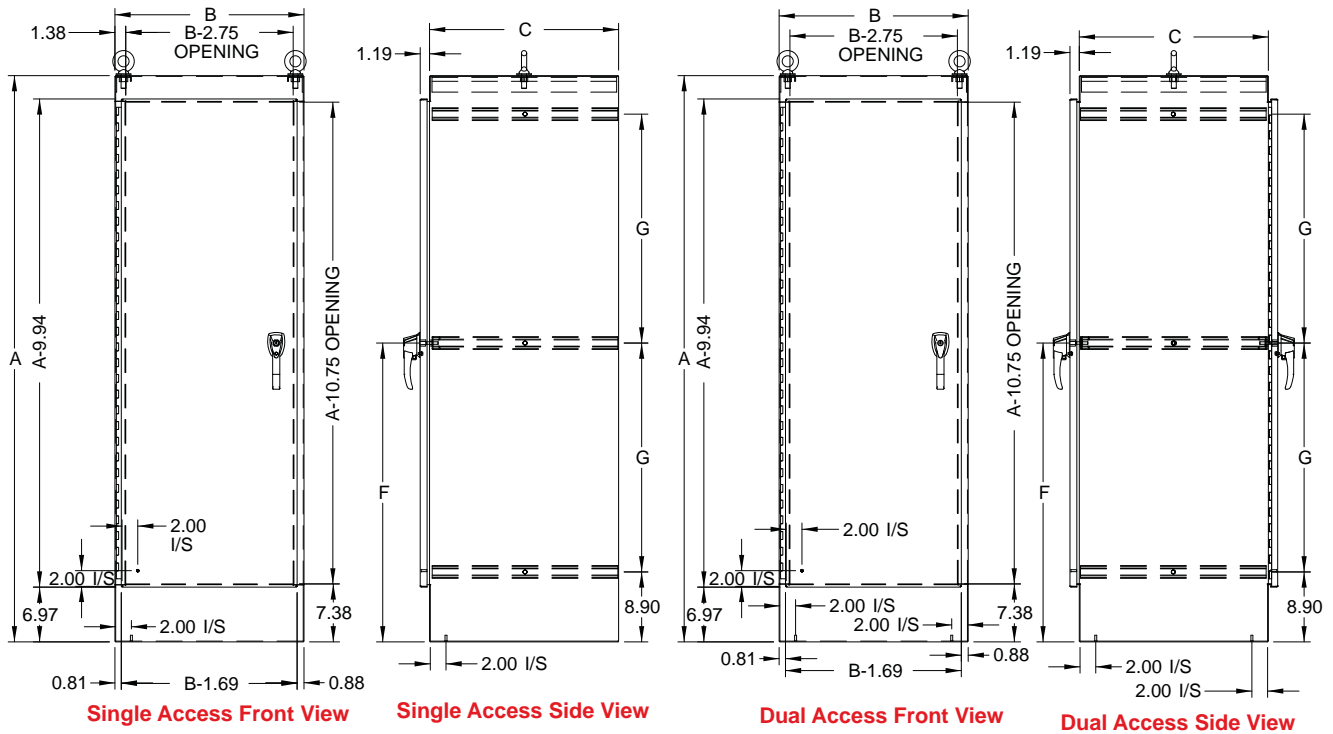
Accessories

- Air conditioners...*see page 387-405*
- Blowers...*see page 425*
- Breather kits...*see page 442*
- Door stop kit...*see page 473*
- Drip shield kits...*see page 470*
- Filter fans...*see page 408-413*
- Floor stand kits...*see page 473*
- Gland Plates...*see page 464*
- Heaters...*see page 418-420*
- Inner Panels...*see page 57*
- Light kit...*see page 471*
- Louvered ventilating plates...*see page 475*
- Thermostats...*see page 440*
- Window kits...*see page 467*

1418 Series Single Door Freestanding Enclosures - NEMA 12

Single or Dual Access

Industrial Enclosures
Freestanding Enclosures



Note: 4 eyebolts are provided for 30.06" and 36.06" deep enclosures (both dual and single access)

Single Access

Part No.	A	B	C	F	G	Opt'l Full Panel ¹	Ship Wt. lbs.
1418TW18	60.06	24.06	18.06	32.03	23.13	60TWF	210
1418W18	72.06	24.06	18.06	38.03	29.13	72WFW	246
1418X18	72.06	30.06	18.06	38.03	29.13	72XFW	285
1418Y18	72.06	36.06	18.06	38.03	29.13	72YFW	325
1418YW20	90.06	24.06	20.06	47.03	38.13	90YFW	313
1418YY20	90.06	36.06	20.06	47.03	38.13	90YFW	406
1418TY24	60.06	36.06	24.06	32.03	23.13	60TYFW	325
1418W24	72.06	24.06	24.06	38.03	29.13	72WFW	300
1418X24	72.06	30.06	24.06	38.03	29.13	72XFW	335
1418Y24	72.06	36.06	24.06	38.03	29.13	72YFW	370
1418YY24	90.06	36.06	24.06	47.03	38.13	90YFW	440
1418W30	72.06	24.06	30.06	38.03	29.13	72WFW	355
1418Y30	72.06	36.06	30.06	38.03	29.13	72YFW	420
1418W36	72.06	24.06	36.06	38.03	29.13	72WFW	400
1418Y36	72.06	36.06	36.06	38.03	29.13	72YFW	465
1418YY36	90.06	36.06	36.06	47.03	38.13	90YFW	525

¹ Refers to Optional Full Height/Full Width Panels. Depth Panels & Half Height Width panels are also available...see page 48.

Dual Access

Part No.	A	B	C	F	G	Opt'l Full Panel ¹	Ship Wt. lbs.
1418WD24	72.06	24.06	24.06	38.03	29.13	72WFW	325
1418XD24	72.06	30.06	24.06	38.03	29.13	72XFW	424
1418YD24	72.06	36.06	24.06	38.03	29.13	72YFW	474
1418YYD24	90.06	36.06	24.06	47.03	38.13	90YFW	540
1418WD30	72.06	24.06	30.06	38.03	29.13	72WFW	375
1418WD36	72.06	24.06	36.06	38.03	29.13	72WFW	425
1418YD36	72.06	36.06	36.06	38.03	29.13	72YFW	495
1418YYD36	90.06	36.06	36.06	47.03	38.13	90YFW	555

¹ Refers to Optional Full Height/Full Width Panels. Depth Panels & Half Height Width panels are also available...see page 48.

Maximum Useable Depth

Single Access only
From inside surface of front door to front face of Full Width Panel
Inner Panel in Full Back Position

Enclosure Depth (In.)	Maximum Usable Depth
18.06	17.80
20.06	19.80
24.06	23.80
30.06	29.80
36.06	35.80

1418 N4 Series Freestanding Enclosures - NEMA 4

Single Door

Industrial Enclosures

Freestanding Enclosures



**Panel
Sold
Separately**



Application

- Designed to house electrical, electronic, hydraulic or pneumatic controls with provision for panel mounting or rack mounting of equipment.
- Provides protection where equipment may be hosed down or otherwise be very wet, or in specific applications where corrosion is a serious problem.
- A variety of inner panels, rack mounting rails and swing out frames are available to provide flexibility in mounting arrangements.

Standards

- UL 508 Type 3R, 4 and 12
- CSA Type 3R, 4 and 12
- **Complies with**
 - NEMA Type 3R, 4, 12 and 13
 - IEC 60529, IP66

Construction

- Formed 12 gauge steel.
- Smooth, continuously welded seams without knockouts, cutouts or holes.
- Lifting eyes provide for easy enclosure handling.
- Doors are supported with heavy gauge continuous hinges.
- Doors are secured with heavy duty stainless steel clamps.
- Seamless poured-in place gasket.
- Provision for light kit mounting.
- Mounting channels are welded on the inside of the enclosure for mounting of optional inner panels or rack equipment rails.
- A grounding stud is provided in the enclosure and a bonding stud is provided on the door.

Finish

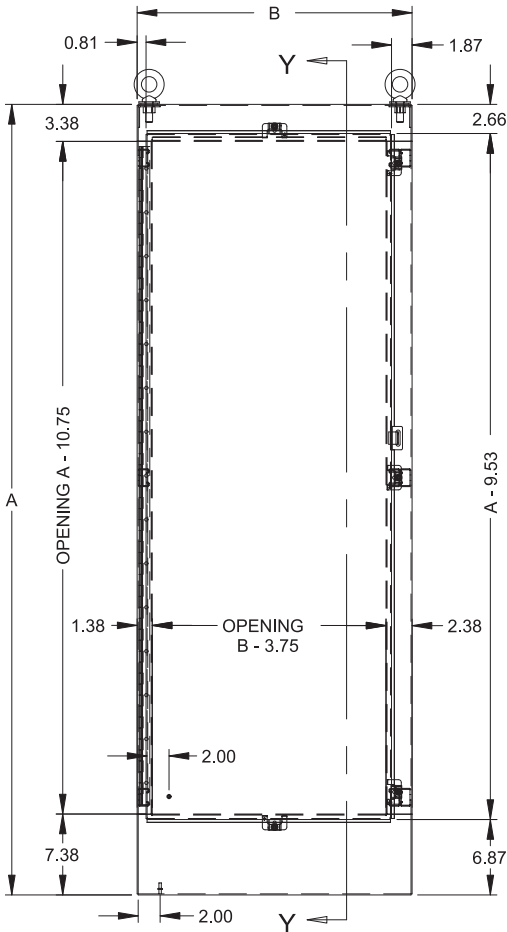
- Cover and enclosure are finished in recoatable smooth ANSI 61 gray powder coating on the outside, with white powder coating on the inside.
- Optional inner panels are available in white powder coating, or unpainted galvanized steel.

Accessories

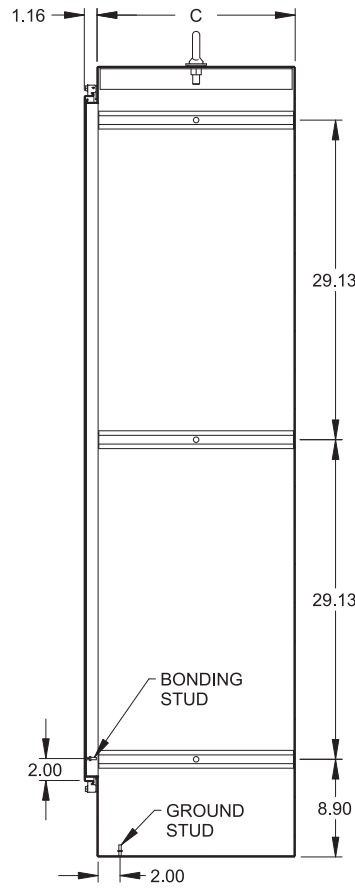
- Air conditioners...*see page 387-405*
- Breather kits...*see page 442*
- Door stop kit...*see page 473*
- Drip shield kits...*see page 470*
- Filter fans...*see page 408-413*
- Gland Plates...*see page 464*
- Heaters...*see page 418-420*
- Inner Panels...*see page 57*
- Light kit...*see page 471*
- Panel rails...*see page 58*
- Swing frame...*see page 58*
- Thermostats...*see page 440*
- Window kits...*see page 467*

1418 N4 Series Freestanding Enclosures - NEMA 4

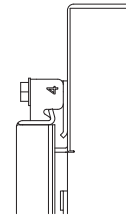
Single Door



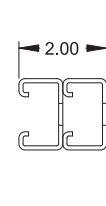
Front View



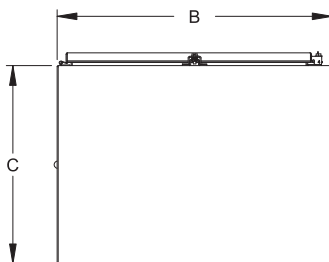
Section Y-Y



Top Lip Detail



Strut Detail - Right Side



Bottom View

Part No.	A	B	C	Optional Full Panel ¹	Ship Wt. lbs.
1418N4W18	72.06	25.06	18.06	72WFW	290
1418N4X24	72.06	31.06	24.06	72XFW	250
1418N4Y24	72.06	37.06	24.06	72YFW	390

¹ Refers to Optional Full Height/Full Width Panels. Depth Panels & Half Height Width panels are also available.



1418 N4 Series Freestanding Enclosures - NEMA 4

Single Door with Quarter Turn Latches

Industrial Enclosures

Freestanding Enclosures



**Panel
Sold
Separately**



Application

- Designed to house electrical, electronic, hydraulic or pneumatic controls with provision for panel mounting or rack mounting of equipment.
- Provides protection where equipment may be hosed down or otherwise be very wet, or in specific applications where corrosion is a serious problem.
- A variety of inner panels, rack mounting rails and swing out frames are available to provide flexibility in mounting arrangements.

Standards

- UL 508 Type 3R, 4 and 12
- CSA Type 3R, 4 and 12
- **Complies with**
 - NEMA Type 3R, 4, 12 and 13
 - IEC 60529, IP66

Construction

- Formed 12 gauge steel.
- Smooth, continuously welded seams without knockouts, cutouts or holes.
- Lifting eyes provide for easy enclosure handling.
- Doors are supported with heavy gauge continuous hinges.
- Doors are secured quarter turn latches.
- Seamless poured-in place gasket.
- Provision for light kit mounting.
- Mounting channels are welded on the inside of the enclosure for mounting of optional inner panels or rack equipment rails.
- A grounding stud is provided in the enclosure and a bonding stud is provided on the door.

Finish

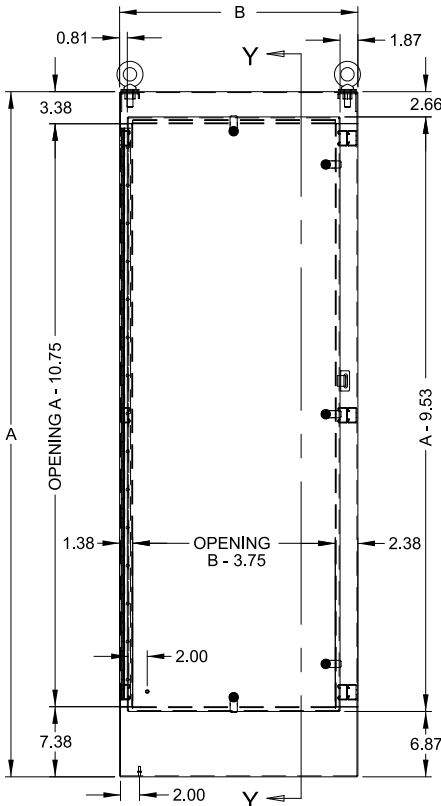
- Cover and enclosure are finished in recoatable smooth ANSI 61 gray powder coating on the outside, with white powder coating on the inside.
- Optional inner panels are available in white powder coating, or unpainted galvanized steel.

Accessories

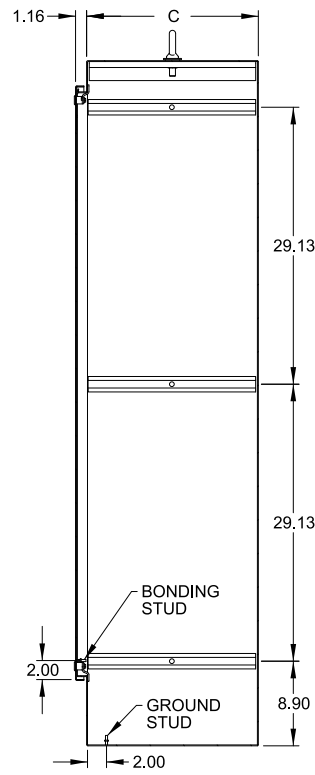
- Air conditioners...*see page 387-405*
- Breather kits...*see page 442*
- Door stop kit...*see page 473*
- Drip shield kits...*see page 470*
- Filter fans...*see page 408-413*
- Gland Plates...*see page 464*
- Heaters...*see page 418-420*
- Inner Panels...*see page 57*
- Light kit...*see page 471*
- Panel rails...*see page 58*
- Swing frame...*see page 58*
- Thermostats...*see page 440*
- Window kits...*see page 467*

1418 N4 Series Freestanding Enclosures - NEMA 4

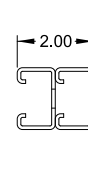
Single Door with Quarter Turn Latches



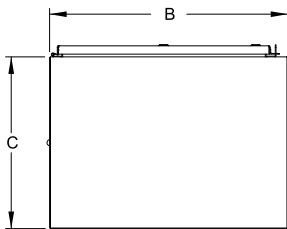
Front View



Section Y-Y



Strut Detail - Right Side



Bottom View

Part No.	A	B	C	Optional Full Panel ¹	Ship Wt. lbs.
1418N4W18QT	72.06	25.06	18.06	72WFW	290
1418N4X24QT	72.06	31.06	24.06	72XFW	250
1418N4Y24QT	72.06	37.06	24.06	72YFW	390

¹ Refers to Optional Full Height/Full Width Panels. Depth Panels & Half Height Width panels are also available.

HN4 Series Freestanding Enclosures - NEMA 4

Single Door w/ 3pt Handle

Industrial Enclosures

Freestanding Enclosures



Application

- Designed to house electrical, electronic, hydraulic or pneumatic controls with provision for panel mounting or rack mounting of equipment.
- Provides protection where equipment may be hosed down or otherwise be very wet, or in specific applications where corrosion is a serious problem.
- A variety of inner panels, rack mounting rails and swing out frames are available to provide flexibility in mounting arrangements.

Standards

- UL 508 Type 3R, 4 and 12
- CSA Type 3R, 4 and 12
- **Complies with**
 - NEMA Type 3R, 4, 12 and 13
 - IEC 60529, IP66

Construction

- Formed 12 gauge steel.
- Smooth, continuously welded seams without knockouts, cutouts or holes.
- Lifting eyes provide for easy enclosure handling.
- Doors are supported with heavy gauge continuous hinges.
- New 3-pt padlocking door handle.
- Seamless poured-in place gasket.
- Provision for light kit mounting.
- A grounding stud is provided in the enclosure and a bonding stud is provided on the door.
- Mounting channels are welded on the inside of the enclosure for mounting of optional inner panels or rack equipment rails.

Finish

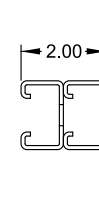
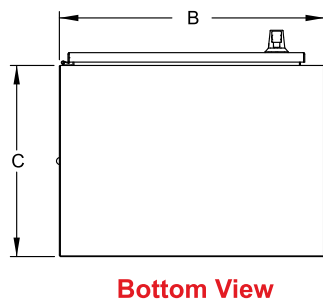
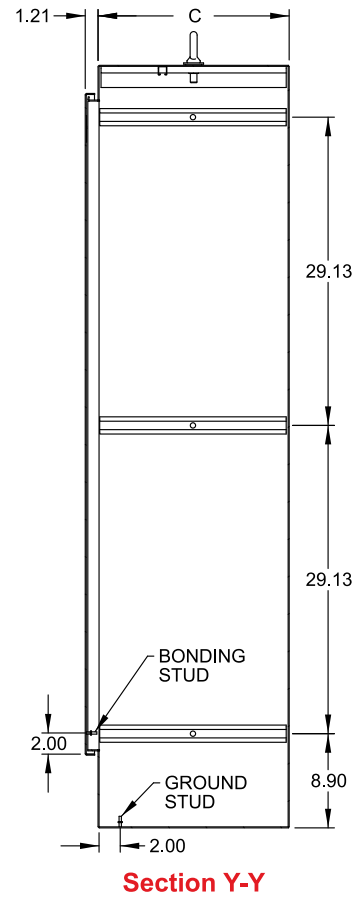
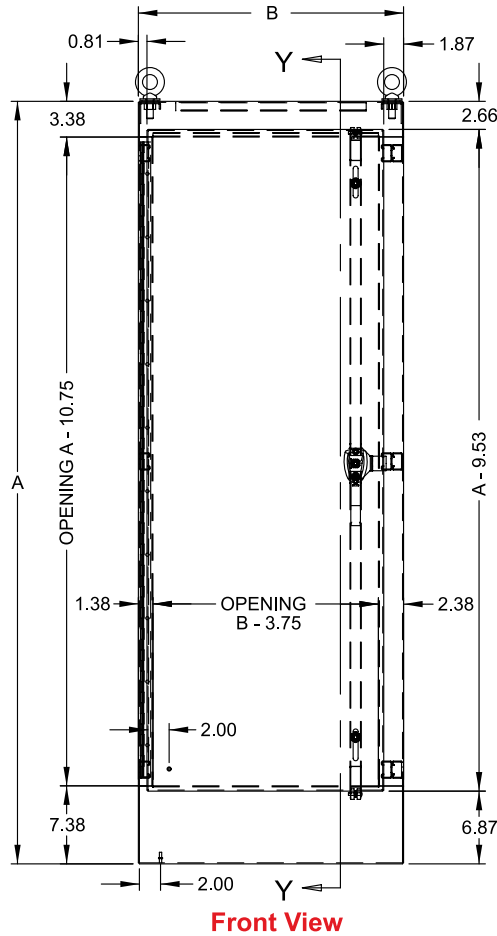
- Cover and enclosure are finished in recoatable smooth ANSI 61 gray powder coating on the outside, with white powder coating on the inside.
- Optional inner panels are available in white powder coating, or unpainted galvanized steel.

Accessories

- Air conditioners...*see page 387-405*
- Breather kits...*see page 442*
- Door stop kit...*see page 473*
- Drip shield kits...*see page 470*
- Filter fans...*see page 408-413*
- Gland Plates...*see page 464*
- Heaters...*see page 418-420*
- Inner Panels...*see page 57*
- Light kit...*see page 471*
- Panel rails...*see page 58*
- Swing frame...*see page 58*
- Thermostats...*see page 440*
- Window kits...*see page 467*

HN4 Series Freestanding Enclosures - NEMA 4

Single Door w/ 3pt Handle



Part No.	A	B	C	Optional Full Panel ¹
HN4FS722518	72.06	25.06	18.06	72WFW
HN4FS723124	72.06	31.06	24.06	72XFW
HN4FS723724	72.06	37.06	24.06	72YFW

¹ Refers to Optional Full Height/Full Width Panels. Depth Panels & Half Height Width panels are also available.

Industrial Enclosures Freestanding Enclosures