

# 1471 Series Console Cabinet - NEMA 12

## Sloped Front, Continuous Hinged Cover Console Cabinet



**Inner  
Panels  
Included**



### Application

- Designed to house electrical, electronic, hydraulic or pneumatic controls and instruments.
- Heavy-duty construction provides protection from dirt, dust, oil and water.
- Sloping front control panel provides an ideal surface for mounting operator controls or instrumentation.
- Interior mounting provision on removable inner panels located on the rear and sides of the enclosure.

### Standards

- UL 508 Type 12 as marked<sup>1</sup>
- CSA Type 12
- **Complies with**
  - NEMA Type 12
  - IEC 529, IP65

### Construction

- Formed 14 gauge steel.
- Smooth, continuously welded seams, without knockouts, cutouts or holes.
- Sloped front instrument panel is continuously hinged on the front (bottom) edge and secured with captive panel screws, threaded into sealed wells.
- Continuously hinged door and front instrument panel may be removed by pulling the hinge pin.
- Doors are secured with a three point latch and operated with a key locking automotive type handle.
- Oil resistant gaskets are permanently secured and mechanically retained.
- Includes three removable inner panels formed from 12 gauge steel, mounted to the back and sides of the enclosure interior.
- Collar studs are provided for mounting inner panels.
- A bonding stud is provided on the door and a grounding stud is provided in the enclosure for each door.
- A literature pocket is provided for the inside of the door.

### Finish

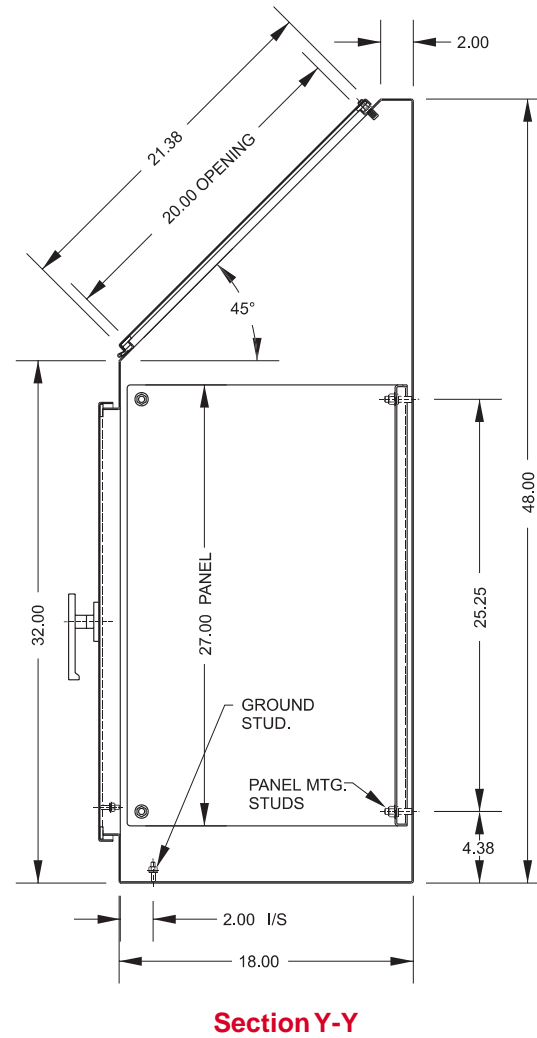
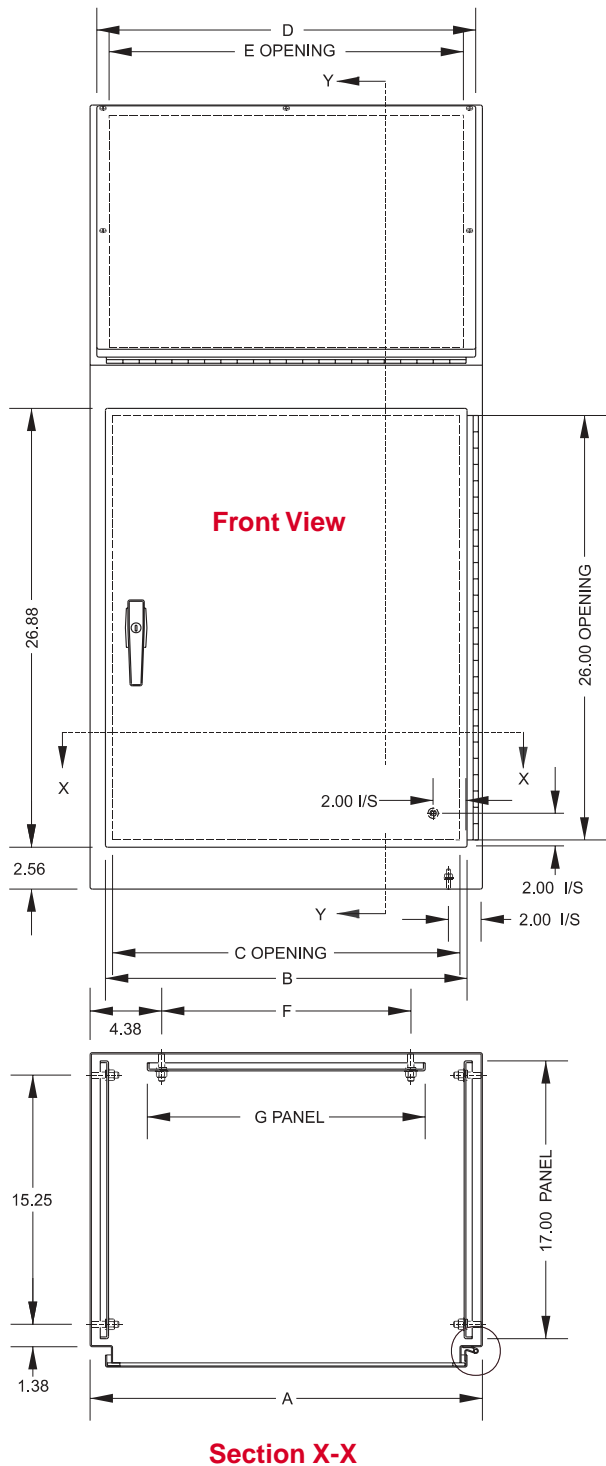
- Cover and enclosure are phosphatized and finished in ANSI/ASA 61 gray powder coating on the outside and on the inside.
- Removable inner panels are finished in white powder coating.

### Accessories

- Air conditioners...see page **348-357**
- Casters...see page **396**
- Door stop kit...see page **393**
- Heaters...see page **369-371**
- Lock kit...see page **379**
- Louvered ventilating plates...see page **396**
- Window kits...see page **391**

# 1471 Series Console Cabinet - NEMA 12

## Sloped Front, Continuous Hinged Cover Console Cabinet



Operator Interface Enclosures  
Console Cabinets

Part No.	A	B	C	D	E	F	G	Ship Wt. lbs.
1471C24 <sup>1</sup>	24	22.13	21.25	23.18	21.69	15.25	17	165
1471C36	36	34.13	33.25	35.18	33.68	27.25	29	210

<sup>1</sup> UL Listed