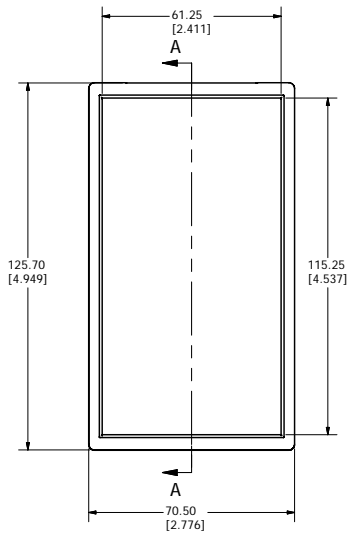
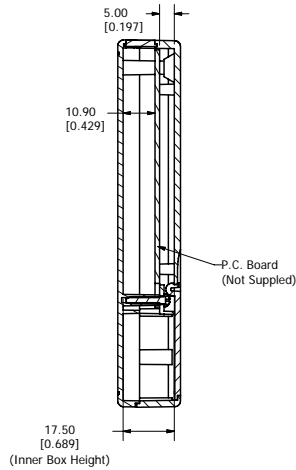


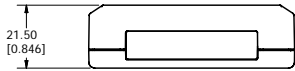
Top View of Assembly



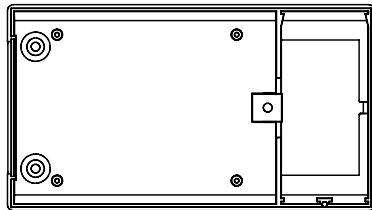
SECTION A-A  
(Side Inside Assembly)



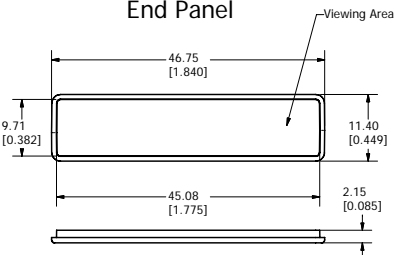
End View of Assembly



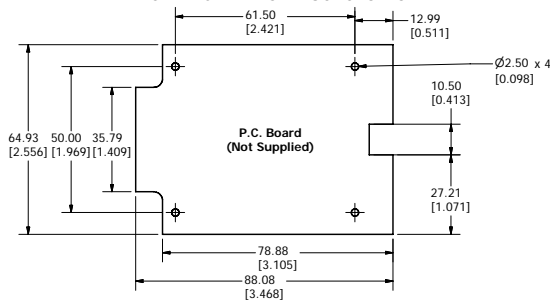
Inside Bottom Cover



End Panel



Maximum P.C. Board Size



(Interactive Model)

NOTE		
Fits 2 "AA" or 1 9V Battery(s)		
Clip for 9V Battery Supplied		
PART NUMBERS		
Clipper Enclosure		
Black Enclosure		001106
Grey Enclosure		001117
INCLUDES		
#	Description	Material
1	Enclosure	FR ABS
1	End Panel	FR ABS
3	Cover Screws #2x1/2 Pan Head	
ACCESSORIES		
Black Pocket Clip		001151
Grey Pocket Clip		001152
Infra Red Panel		001150

**HAMMOND  
MANUFACTURING™**

Large Clipper Enclosure

[www.hammondmfg.com](http://www.hammondmfg.com)