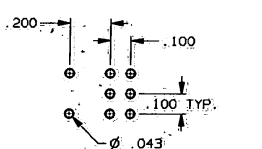
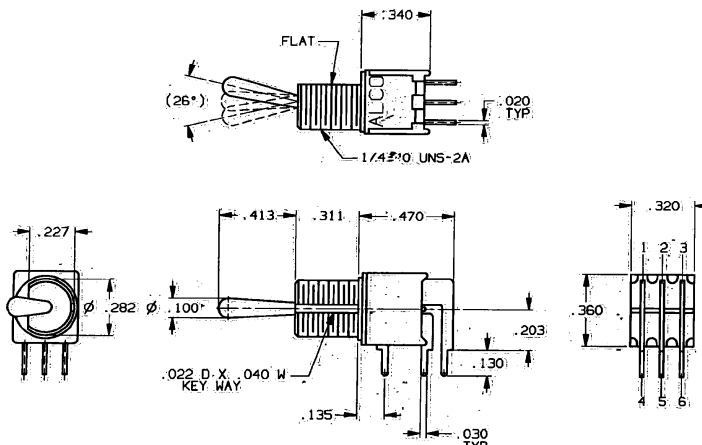


CONVERSION CHART	
INCH	MM
.002	0.05
.010	0.25
.020	0.51
.030	0.76
.040	1.02
.043	1.09
.098	2.49
.100	2.54
.130	3.30
.135	3.43
.200	5.08
.203	5.16
.227	5.76
.282	7.16
.311	7.90
.320	8.13
.340	8.64
.360	9.14
.390	9.65
.470	11.9



RECOMMENDED HOLE LAYOUT
TOLERANCE: ±.002 UNLESS OTHERWISE NOTED

SPECIFICATIONS:

MATERIALS:
CASE: HIGH TEMPERATURE POLYESTER
FRAME: STEEL, TIN PLATED
ACTUATOR: COPPER ALLOY, GOLD OVER NICKEL PLATE
MOVABLE CONTACT: COPPER ALLOY, GOLD OVER NICKEL PLATE
STATIONARY CONTACT: COPPER ALLOY, GOLD OVER NICKEL PLATE
TERMINALS: COPPER ALLOY, 3IN LEAD PLATED
TERMINAL SEAL: EPOXY

ELECTRICAL:
CONTACT RATING: 0.4 VA @ 20 VDC OR PEAK AC
INITIAL CONTACT RESISTANCE: 20 MILLIOHMS MAX.
INSULATION RESISTANCE: 1,000 MEGOHMS AT 500 VDC MIN.
DIELECTRIC STRENGTH: 1,000 VOLTS RMS AT SEA LEVEL
LIFE EXPECTANCY: 80,000 CYCLES (2 POSITION)
60,000 CYCLES (3 POSITION)

ENVIRONMENTAL:
OPERATING TEMPERATURE: -22°F TO +185°F (-30°C TO +85°C)
STORAGE TEMPERATURE: -67°F TO +185°F (-55°C TO +85°C)

- NOTES:**
- INTERPRET DRAWING PER ASME Y14.5M-1994.
 - SUPPLIED WITH MOUNTING HARDWARE.

TERMINALS CONNECTED WHEN TOGGLE IN POSITIONS SHOWN			
SWITCH ACTION CODE (#)	Diagram 1	Diagram 2	Diagram 3
N	2 TO 3 5 TO 6	NONE	2 TO 1 5 TO 4
P	2 TO 3 5 TO 6	OFF	2 TO 1 5 TO 4
R	2 TO 3 5 TO 6 (MOM)	NONE	2 TO 1 5 TO 4
PA	2 TO 3 5 TO 6	2 TO 1 5 TO 4	2 TO 1 5 TO 4

NOTE:
DESIGNATION NUMBERS ARE FOR REFERENCE ONLY AND DO NOT APPEAR ON THE SWITCHES.

OBSELETE

AUGAT D/N 40024

CUSTOMER DRAWING			
SPECIFICATIONS ARE SUBJECT TO CHANGES WITHOUT NOTICE			
TOLERANCES (EXCEPT AS NOTED) ANGULAR ±1° DECIMAL .XX ± .002 DECIMAL .XXX ± 0.010 DECIMAL .XXXX TYCO CONFIDENTIAL THIS DOCUMENT CONTAINS INFORMATION WHICH IS THE SOLE PROPERTY OF TYCO ELECTRONICS Distribution, reproduction or use by others is not permitted without the expressed written consent of Avnet	UNLESS OTHERWISE SPECIFIED, DIMENSIONS ARE IN INCHES. DO NOT SCALE PRINT. FILE NAME: _____ DIRECTORY: _____ MATERIAL: SEE SPECIFICATIONS FINISH: SEE SPECIFICATIONS	ORIGINAL DATE OF DRAWING: 5-8-80 DRAWN: R. WICHEL DATE: 5-8-80 CHECKED: B. BUCKHEIT DATE: 5-8-80 APPROVED: T.K.J. DATE: 5-8-80 COPE IDENT. NO.: 91506 *DMG. SIZE: C	TYCO ELECTRONICS TITLE: CUSTOMER DRAWING SUBMINATURE TOGGLE SWITCH DOUBLE POLE - RA (TT21(*)6-RA-9T 1/4) DMG. NO.: 2-1437562-1 REV. C

REV	C
063C-0194-05	
MZ 28MAR07	