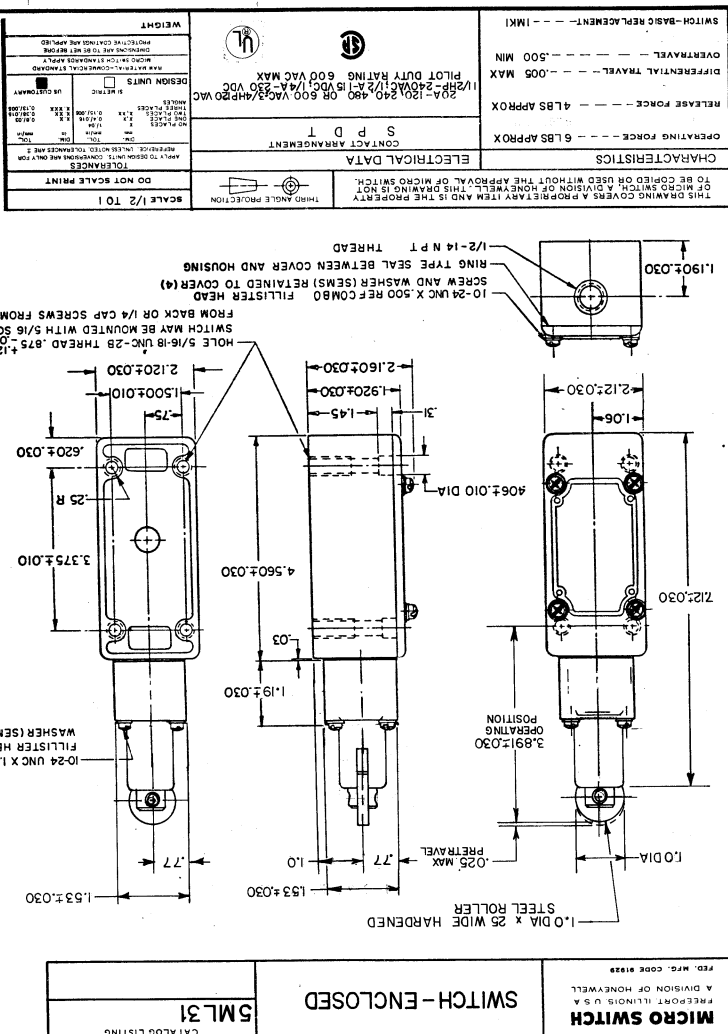


REVISED	DATE	BY	REASON
3	14 DEC 84	J.A.P.	REVISED
2	14 DEC 84	J.A.P.	REVISED
1	19 APR 83	J.A.P.	REVISED

ISSUE	3
DRAWING NUMBER	M 5ML 31
REPLACES	
INCLUDE NO. PR. 5617	



M