

SPECIFICATIONS

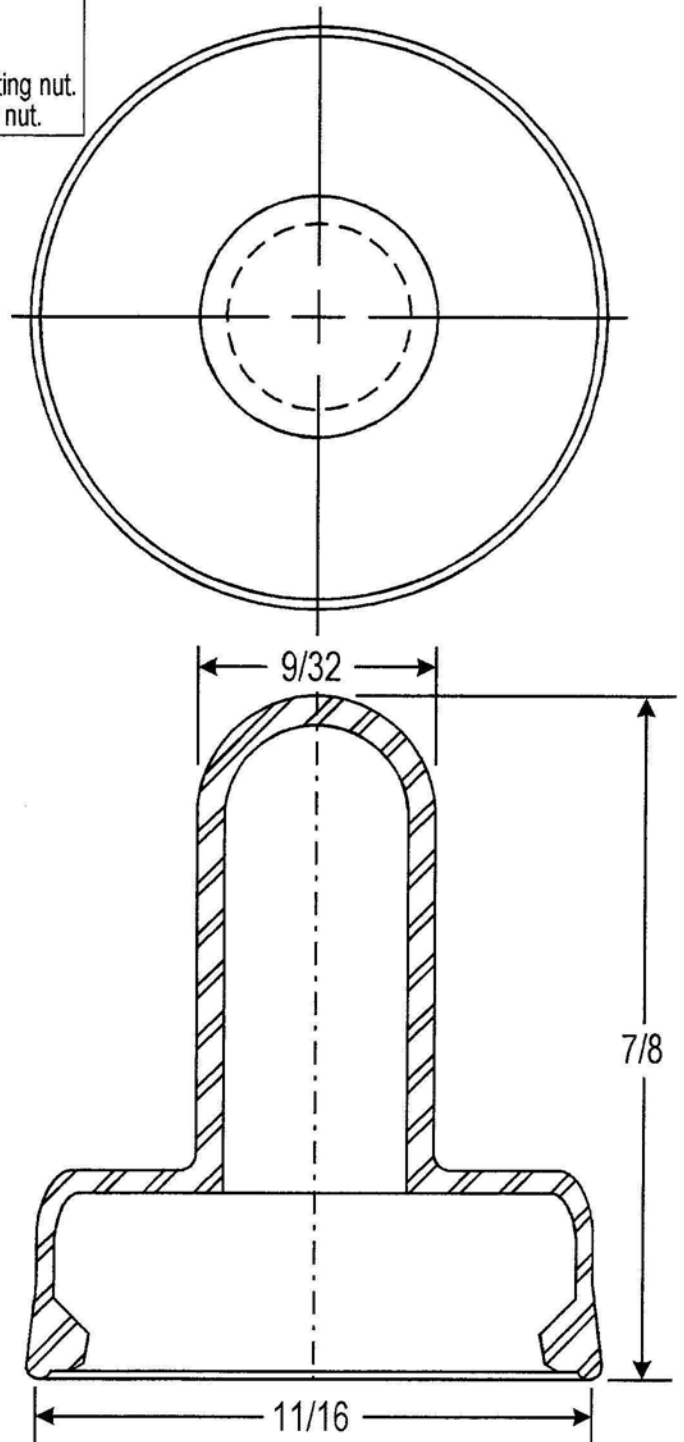
Material: Boot: Neoprene.

Color: black (other materials and colors available on special order.)

Temperature Range: -65°F to +300°F

Shelf Life: 2 years.

Installation: A. Mount the switch using SNAPSEEL® shouldered mounting nut.
B. Press SNAPSEEL® over switch actuator and snap over nut.



NOTE: MOUNTING NUT NOT INCLUDED - PURCHASE SEPARATELY IF NEEDED.

C	CAD COMPUTER GENERATED		9/23/02
B	REMOVED TOP OF BOOT, 43/61 WAS 23/32	NK	11-2-72
A	ALTERED SHAPE OF BOOT	T.C.	8-12-69
REV.	DESCRIPTION		DATE
MAXIMUM AND MINIMUM MEASUREMENTS ARE STATED DIRECTLY ON EACH DIMENSION.		ENG.	
TITLE: BOOT, TOGGLE SNAPSEAL® (1111/4)		DWN.	N.K.S. 9-29-67
		CHKD.	
MATERIAL: NEOPRENE		SCALE	DWG. NO.
FINISH: BLACK		4:1	1111/4
APM-HEXSEAL CORPORATION			

THIS DRAWING COVERS PROPRIETARY ITEM AND IS THE PROPERTY OF THE APM-HEXSEAL CORPORATION.
THIS DRAWING IS NOT TO BE COPIED OR USED WITHOUT THE WRITTEN APPROVAL OF AN OFFICER OF THE APM-HEXSEAL CORPORATION.