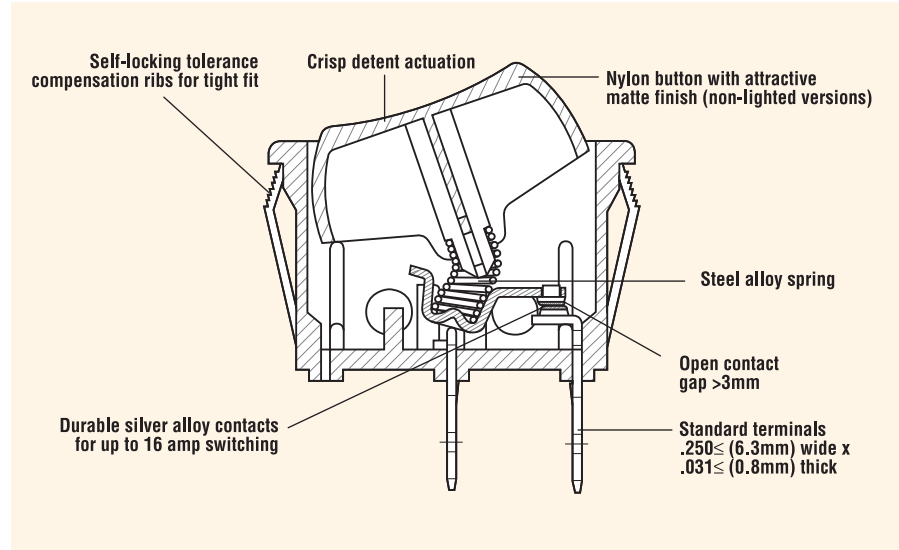


THIN POWER ROCKER SWITCH

TR Series

Features

- 16A switching in 11mm wide package
- Lighted and non-lighted versions
- Available in a wide variety of colors
- Double-throw and three-position versions available
- Fits industry-standard cut-outs
- Mechanical life: min. 50,000 operations



Electrical Ratings

Switch Series	EN61058 Rating	UL1054 Rating	Electrical Life at Rated Load	
			According to VDE (Min. Operations)	According to UL (Min. Operations)
TR	16(4)A, 250V~, T85 1E4	16A, 125/250VAC, 1/4HP@125V; 3/4HP@250V	10,000	6,000

Specifications

Electrical

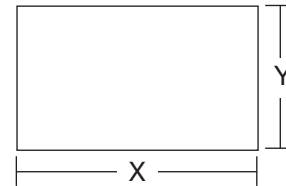
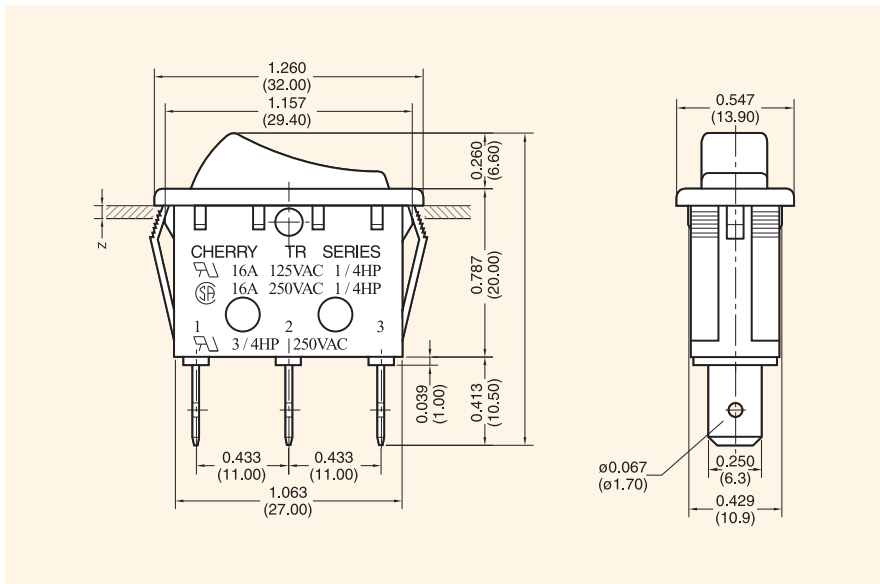
Dielectric Strength:	1000VAC for 1 minute
Insulation Resistance:	10 ⁸ ohms min at 500VDC
Initial Contact Resistance:	0.020 ohms max
Temperature Range:	-20°C to +65°C

Materials

Actuator (non-lighted):	Nylon 66 94V-2
Actuator (lighted):	Polycarbonate
Case:	Nylon 66 94V-2
Spring:	Steel Wire
Contacts:	Silver Alloy
Movable Arm:	Silver-Plated Copper Alloy
Fixed Contact Terminals:	Tin-Plated Copper Alloy



Dimensions inches (mm)



Z = Panel Thickness

Recommended Panel Cut-Out Dimensions

Dim. Z	Dim. X	Dim. Y
0.030 to 0.049 (0.75 to 1.25)	1.19 (30.23)	0.433 (11.00)
0.049 to 0.079 (1.25 to 2.00)	1.20 (30.48)	0.433 (11.00)
0.079 to 0.118 (2.00 to 3.00)	1.21 (30.73)	0.433 (11.00)

Examples of Common Part Numbers and Descriptions inches (mm)

Part Number	Circuitry	Switch Function	Terminal Type	Actuator/Housing Color	Legend Marking
TRG22F2FBBNN		On - Off	0.250 (6.3) Quick-Connect	Black/Black	
TRG23F2BBBNN		On - On	0.250 (6.3) Quick-Connect	Black/Black	
TRG22F2BBRLN		On - Off/Lighted	0.250 (6.3) Quick-Connect	Red/Black	

Boot #0015-0662

Ordering Information

TR	G	2	2	F	2	F	B	B	N	N
Series	Code Circuitry	Code Switch Function	Code Actuator Type	Code Actuator Marking	Code Housing Color	Code Lighted	Code Splashproof			
	2 Single-Pole	2 On - Off 3 On - On 4 On - Off - On 5 (On) - Off 6 (On) - On	2 Curve 5 Flat	B Blank C II D OFF NO E O I F O - H I O II	E Charcoal Grey Y Grey B Black W White C Brown	N Non-Lighted L Lighted (Bulb 125VAC) E Lighted (Bulb 250VAC) F Lighted 5VDC Incandescent G Lighted 6VDC Incandescent H Lighted 12VDC Incandescent	N No Rocker Boot S Rocker Boot			
Code Contact Rating										
G 16A, 125/250VAC; 1/4HP@125V 3/4HP@250V (UL) 16A, 125/250VAC; 1/4HP@125/250VAC (CSA) 16(4)A, 250V- (VDE)										
Code Terminal Type inches (mm)										
F 0.250 (6.3) QC										
Code Actuator Color										
Y Grey B Black G Green A Amber R Red W White C Brown E Charcoal Grey										