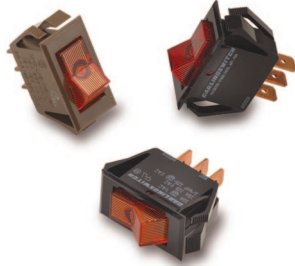


## LTA-Series Single Pole Lighted Rocker Switches



The illuminated predecessor to the Corvette series whose versatility has allowed it to stand the test of time. Traditional styling coupled with self cleaning contacts, integrated wire leads, a multitude of circuits, ratings, and actuator choices has made the LTA-Series appeal to a wide range of markets including Appliance, HVAC, Food service, Transportation, and sundry other markets as well.

### Dielectric Strength

UL/CSA:

1000V - live to dead metal parts

750V - across open contacts

### Electrical Life

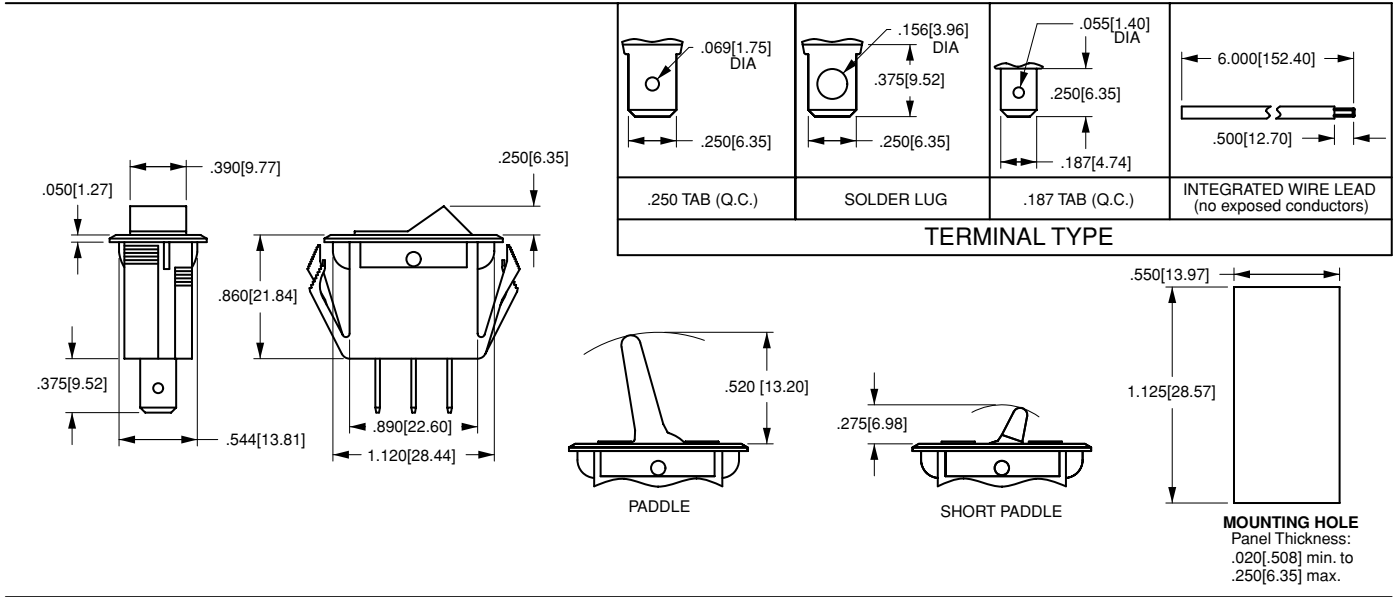
100,000 cycles

### Mechanical Life

100,000 cycles

### Operating Temperature

32°F to 185°F (0°C to 85°C)



## LTA201 - P R - B -A 125N

1 Base Part Number      2 Actuator Style      3 Actuator Color      4 Bezel Color      5 Lens Color      6 Lamp Voltage

<b>1 BASE PART NUMBER: SERIES/CIRCUITRY/RATING<sup>1</sup>/TERMINATION</b>				
10A 250VAC; 15A 125VAC; 3/4 HP 125-250VAC				
OFF-NONE-ON	Solder Lugs LTA200	.250 Tabs LTA201	.187 Tabs LTA203	Wire Leads LTA205

<b>2 ACTUATOR STYLE<sup>3</sup></b>	
T rocker	PS short paddle
P paddle	

<b>3 ACTUATOR COLOR<sup>3</sup></b>	
A amber	R red
C clear	G green <sup>2</sup>

<b>4 BEZEL COLOR<sup>1</sup></b>	
B black	W white

<b>5 LENS COLOR<sup>2,3</sup></b>	
/ no lens	-G green
-A amber	-R red
-C clear	-LU blue

<b>6 LAMP VOLTAGE<sup>2</sup></b>	
006V 6V incandescent	024V 24V incandescent
012V 12V incandescent	125N 125V neon
018V 18V incandescent	250N 250V neon

### NOTES

- Additional ratings and colors are available. Consult factory for details.
- Neon lamps not recommended with green or blue rocker/lenses.
- Lens color is specified only if actuator style is P or PS. If style is T (rocker), then use / as the code in position 5.