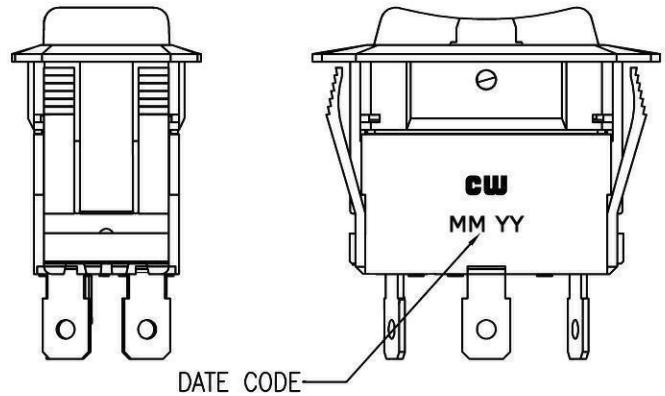
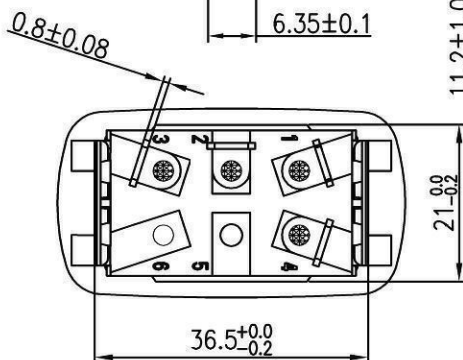
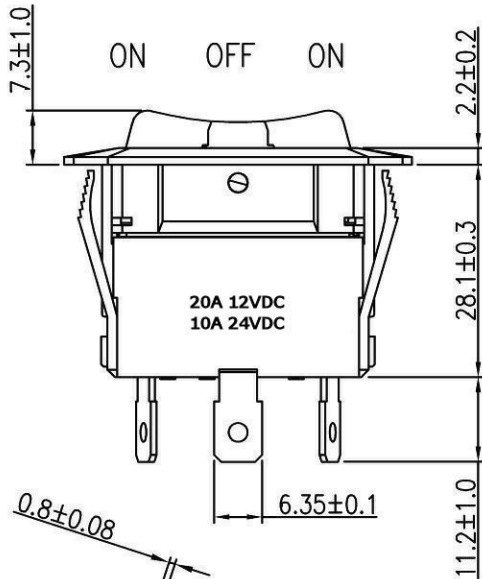
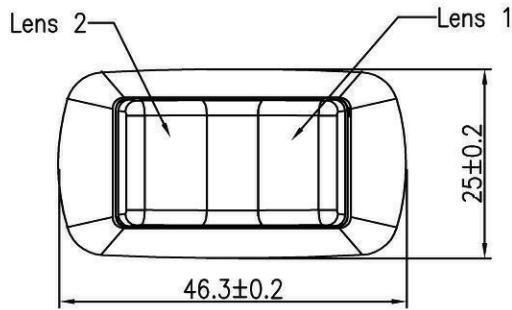


THIS INFORMATION IS CONFIDENTIAL AND PROPRIETARY TO CW INDUSTRIES INCORPORATED AND ITS AFFILIATES. IT MAY NOT BE DISCLOSED TO ANYONE, OTHER THAN CW INDUSTRIES PERSONNEL, WITHOUT WRITTEN AUTHORIZATION FROM CW INDUSTRIES INCORPORATED, SOUTHAMPTON, PENNSYLVANIA USA.

Rating	21A 14VDC	Mounting Hole		Circuit Diagram
Contact Resistance	50m ohm Max.			
Insulation Resistance	DC 500V 100M ohm Min.			
Dielectric Strength	AC 1500V 1 minute	Thickness(mm)	X(mm)	Y(mm)
Operation Temperature	-20°~85°	0.75~1.25	21.2+0.1	36.6 ^{+0.2} _{-0.1}
Switch Function	4P SPDT ON-OFF-ON	1.25~2.0		36.8 ^{+0.2} _{-0.1}
		2.0~3.0		37.0 ^{+0.2} _{-0.1}

*** MATERIAL:**

Frame: Nylon 66, Black
 Actuator: Nylon 66 with 33%GF, Black
 Lens 1: Red, Super bright LED
 Lens 2: Green, Super bright LED
 Water proof and dust proof to fit IP-56



RoHS Compliant

1 Removed AC Rating marks and added DC Rating marks.8/23/10

CW INDUSTRIES
 Southampton, Pa. 18966
 Tel 215.355.7080/www.cwind.com

Date Drawn: 5/19/10

Rev. 1

Unit: mm

Checked By: G.Guld

Title: **ROCKER SWITCH**

CW P/N: **GRB260D501BBRG1**