
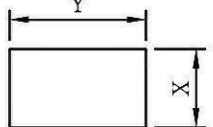
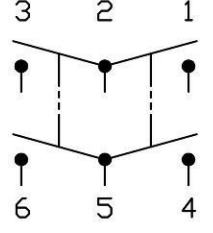
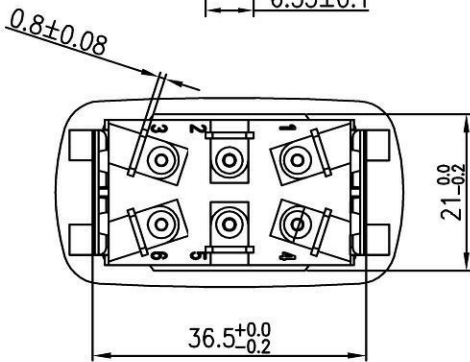
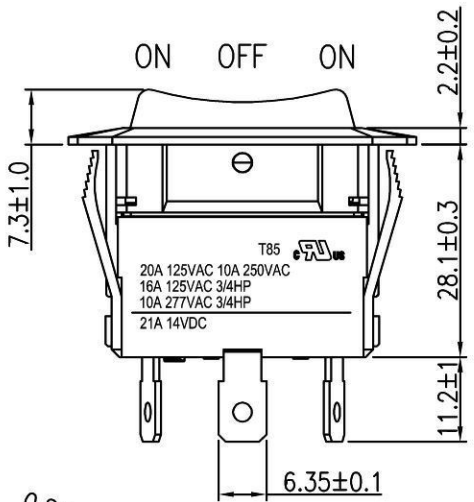
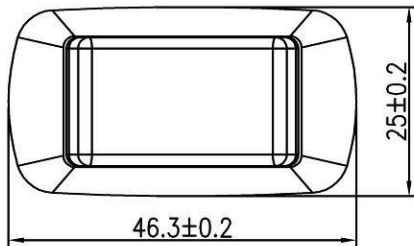


THIS INFORMATION IS CONFIDENTIAL AND PROPRIETARY TO CW INDUSTRIES INCORPORATED AND ITS AFFILIATES. IT MAY NOT BE DISCLOSED TO ANYONE, OTHER THAN CW INDUSTRIES PERSONNEL, WITHOUT WRITTEN AUTHORIZATION FROM CW INDUSTRIES INCORPORATED, SOUTHAMPTON, PENNSYLVANIA USA.

Rating	20A 125VAC 10A 25VAC 16A 125VAC 3/4HP 10A 277VAC 3/4HP 	Mounting Hole		Circuit Diagram	
	21A 14VDC				
Contact Resistance	50m ohm Max.				
Insulation Resistance	DC 500V 100M ohm Min.				
Dielectric Strength	AC 1500V 1 minute	Thickness(mm)	X(mm)		Y(mm)
Operation Temperature	-20°~+85°	0.75~1.25	21.2±0.1		36.6 ^{+0.2} _{-0.2}
Switch Function	6P DPDT ON-OFF-ON	1.25~2.0		36.8 ^{+0.2} _{-0.2}	
		2.0~3.0		37.0 ^{+0.2} _{-0.2}	



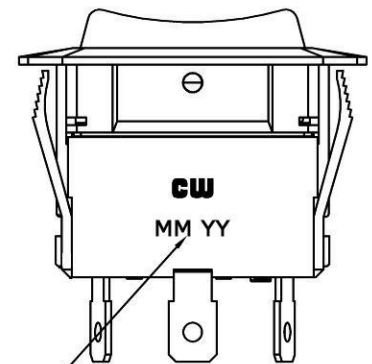
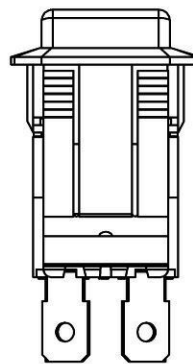
*** MATERIAL:**

Frame: Nylon#66, Black

Actuator: Nylon#66 with 33%GF, Black

Printed: None

Water proof and dust proof to fit IP-56



DATE CODE

RoHS Compliant

CW INDUSTRIES
Southampton, Pa. 18966
Tel 215.355.7080/www.cwind.com

Date Drawn: 5/18/10

Rev. 0

Unit: mm

Checked By: **EJP**

Title: **ROCKER SWITCH**

CW P/N: **GRB260E101BBNN**