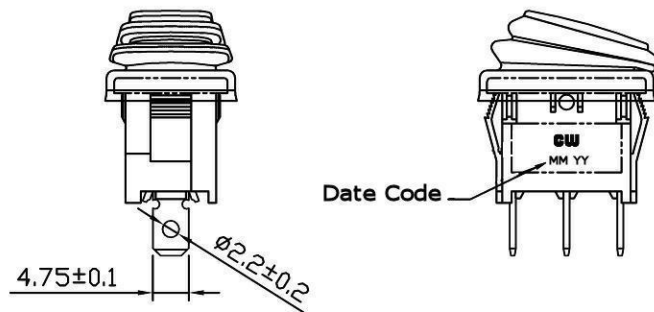
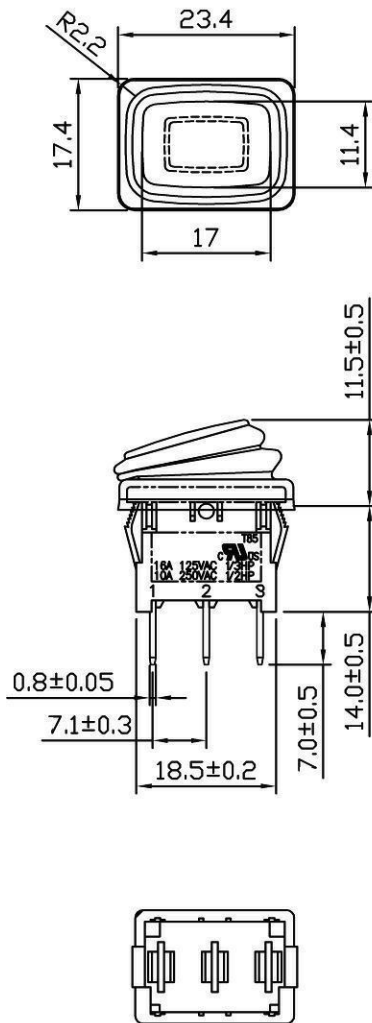


THIS INFORMATION IS CONFIDENTIAL AND PROPRIETARY TO CW INDUSTRIES INCORPORATED AND ITS AFFILIATES. IT MAY NOT BE DISCLOSED TO ANYONE, OTHER THAN CW INDUSTRIES PERSONNEL, WITHOUT WRITTEN AUTHORIZATION FROM CW INDUSTRIES INCORPORATED, SOUTHAMPTON, PENNSYLVANIA USA.

Rating	20A 12V DC		Circuit Diagram 								
Contact Resistance	50m ohm Max.										
Insulation Resistance	DC 500V 100M ohm Min.										
Dielectric Strength	AC 1000V 1 minute										
Operation Temperature	-25°C~85°C	<table border="1"> <tr> <td>Thickness</td> <td>X</td> <td>Y</td> </tr> <tr> <td>0.75....1.5</td> <td>19.4-0.1</td> <td>13+0.1</td> </tr> <tr> <td>1.5....2.5</td> <td>19.8-0.1</td> <td>13+0.1</td> </tr> </table>	Thickness	X	Y	0.75....1.5	19.4-0.1	13+0.1	1.5....2.5	19.8-0.1	13+0.1
Thickness	X	Y									
0.75....1.5	19.4-0.1	13+0.1									
1.5....2.5	19.8-0.1	13+0.1									
Switch Function	3P SPST ON-OFF(LED)										



Material:
 Frame: Nylon 66 (94-V2), Black
 Actuator: PC clear (94-V2), Red
 Waterproof Rubber: Silicone, Black
 Terminals: Silver plated, Copper alloy
 Hot stamping: None
 Waterproof: IP65
 LED: Red

RoHS Compliant

CW INDUSTRIES
 Southampton, Pa. 18966
 Tel 215.355.7080/www.cwind.com

Date Drawn: 5/17/10

Rev. 0

Unit: mm

Checked By: GG

Title: **ROCKER SWITCH**

CW P/N: **GRB066B802BR1**