


# Guard Lock Safety-door Switch D4BL

## Release Protective Cover Locks Using Controller Signals or Pushbutton Switches after the Cutting Tool Stops Moving Due to Inertia

- A mechanical lock is applied automatically when the Operation Key is inserted. A high level of safety is achieved using a mechanism where the lock is only released when voltage is applied to the solenoid.
- Conforms to EN (TÜV) standards corresponding to the CE marking.
- Approved by UL, CSA, BIA, SUVA and CCC standards.
- The Switch contact is opened by a direct opening mechanism (NC contacts only) when the protective cover is opened. Direct opening mechanism that is EN-approved is indicated by  on the Switch.
- Auxiliary release key ensures easy maintenance and unlocks the door in the case of a power failure.
- Tough aluminum die-cast body incorporating a switch box with degree of protection satisfying IP67, UL, and CSA TYPE6P, 13.
- Equipped with a horizontal and vertical conduit opening.
- Models incorporating easy-to-see indicators for monitoring and those using an adjustable Operation Key for a double door are available.
- The mounting direction of the head can be changed to allow the Operation Key to be inserted from four directions.



## Model Number Structure

### ■ Model Number Legend

#### Switch

D4BL -     -   
           1      2      3      4      5

#### 1. Conduit Size (2-conduit)

- 1: PG13.5
- 2: G1/2
- 3: 1/2-14NPT

#### 2. Built-in Switch (with Safety Switch and Lock Monitor Switch Contacts)

- C: 1NC/1NO (slow-action) + 1NC (slow-action)
- D: 2NC (slow-action) + 1NC (slow-action)

#### 3. Head Mounting Direction

- R: Four mounting directions possible (right-side mounting at shipping)

#### 4. Door Lock and Release

##### (Auxiliary Release Key is Incorporated by All Models)

- A: Mechanical lock/24-VDC solenoid release
- B: Mechanical lock/110-VAC solenoid release
- G: 24-VDC Solenoid lock/Mechanical release

#### 5. Indicator

- Blank: Without indicator
- A: 10 to 115 VAC or VDC driving (with orange and green LED indicator unit)

## Operation Key (Order Separately)

D4BL - K  
           1

#### 1. Operation Key Type

- 1: Horizontal mounting
- 2: Vertical mounting
- 3: Adjustable mounting (Horizontal)



OMRON SCIENTIFIC TECHNOLOGIES, INC.  
 USA Tel. 1/888/510-4357 Canada Tel. 1/866/986-6766



For the Latest Information  
 On the Internet: [www.sti.com](http://www.sti.com) or [www.omron.ca](http://www.omron.ca)



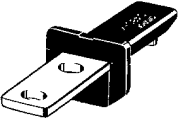

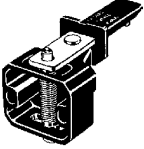
# Ordering Information

## List of Models

### Switches

Lock method	Conduit size	Voltage for solenoid	Without indicator 1NC/1NO+ 1NC (Slow-action)	With LED indicator 1NC/1NO+ 1NC (Slow-action)	Without indicator 2NC+ 1NC (Slow-action)	With LED indicator 2NC+ 1NC (Slow-action)
Mechanical lock	PG13.5	24 VDC	D4BL-1CRA	D4BL-1CRA-A	D4BL-1DRA	D4BL-1DRA-A
		110 VAC	D4BL-1CRB	D4BL-1CRB-A	D4BL-1DRB	D4BL-1DRB-A
	G1/2	24 VDC	D4BL-2CRA	D4BL-2CRA-A	D4BL-2DRA	D4BL-2DRA-A
		110 VAC	D4BL-2CRB	D4BL-2CRB-A	D4BL-2DRB	D4BL-2DRB-A
	1/2-14NPT	24 VDC	D4BL-3CRA	D4BL-3CRA-A	D4BL-3DRA	D4BL-3DRA-A
		110 VAC	D4BL-3CRB	D4BL-3CRB-A	D4BL-3DRB	D4BL-3DRB-A
Solenoid lock	Pg 13.5	24 VDC	D4BL-1CRG	D4BL-1CRG-A	D4BL-1DRG	D4BL-1DRG-A
	G1/2	24 VDC	D4BL-2CRG	D4BL-2CRG-A	D4BL-2DRG	D4BL-2DRG-A
	1/2-14NPT	24 VDC	D4BL-3CRG	D4BL-3CRG-A	D4BL-3DRG	D4BL-3DRG-A

### Operation Keys (Order Separately)


Mounting type	Model
Horizontal mounting 	D4BL-K1
Vertical mounting 	D4BL-K2
Adjustable mounting (Horizontal) 	D4BL-K3

## Specifications

### Standards and EC Directives

- Conforms to the following EC Directives:
  - Machinery Directive
  - Low Voltage Directive
  - EN1088

### Approved Standards

Agency	Standard	File No.
TÜV Rheinland	EN60947-5-1	R9451050  (Direct opening: approved)
BIA	GS-ET-19	Mechanical lock: 9402293 Solenoid lock: 1998 20462-01
SUVA	SUVA	E6186/2.d
UL	UL508	E76675
CSA	CSA C22.2, No.14	LR45746
CQC (CCC)	GB14048.5	2003010305073836

**Note:** Ask your OMRON representative for information on approved models.

## ■ Approved Standard Ratings

### TÜV (EN60947-5-1), CCC (GB14048.5)

Item	Standard model	Indicator model
Utilization category	AC-15	AC-15
Rated operating current ( $I_n$ )	3 A	6 A
Rated operating voltage ( $U_n$ )	250 V	115 V

Use a 10-A fuse type gI or gG that conforms to IEC60269 as a short-circuit protection device.

### UL/CSA (UL508, CSA C22.2 No. 14)

#### A300

Rated voltage	Carry current	Current		Volt-amperes	
		Make	Break	Make	Break
120 VAC	10 A	60 A	6 A	7,200 VA	720 VA
240 VAC		30 A	3 A		

**Note:** The UL/CSA approved rating for products with indicators (-A) is 6 A/115 VAC.

## ■ Characteristics

Degree of protection (See note 2.)	IP67 (EN60947-5-1) (This applies for the Switch only. The degree of protection for the key hole is IP00.)
Durability (See note 3.)	Mechanical: 1,000,000 operations min. Electrical: 500,000 operations min. (10-A resistive load at 250 VAC)
Operating speed	0.05 to 0.5 m/s
Operating frequency	30 operations/min max.
Rated frequency	50/60 Hz
Contact gap	2 x 2 mm min.
Operating characteristics	Direct opening force: 19.61 N min. (EN60947-5-1) (See note 4.) Direct opening travel: 20 mm min. (EN60947-5-1) (See note 4.) All stroke: 23 mm min.
Lock holding strength	700 N min. (GS-ET-19)
Insulation resistance	100 M $\Omega$ min. (at 500 VDC)
Rated insulation voltage ( $U_i$ )	300 V (EN60947-5-1)
Conventional enclosed thermal current ( $I_{the}$ )	10 A (EN60947-5-1)
Dielectric strength ( $U_{imp}$ )	Impulse dielectric strength ( $U_{imp}$ ) 4 kV (EN60947-5-1) between terminals of different polarity, between each terminal and ground, and between each terminal and non-current-carrying metal part; 2.5 kV between solenoid and ground (EN60947-5-1)
Conditional short-circuit current	100 A (EN60947-5-1)
Pollution degree (operating environment)	3 (EN60947-5-1)
Protection against electric shock	Class I (with ground terminal)
Switching overvoltage	1,500 V max. (EN60947-5-1)
Contact resistance	50 m $\Omega$ max. (initial value)
Vibration resistance	Malfunction: 10 to 55 Hz, 0.35-mm single amplitude
Shock resistance	Destruction: 1,000 m/s <sup>2</sup> min. (IEC68-2-27) Malfunction: 300 m/s <sup>2</sup> min. (IEC68-2-27)
Ambient temperature	Operating: -10°C to 55°C (with no icing)
Ambient humidity	Operating: 95% max.
Weight	Approx. 800 g

**Note:** 1. The above values are initial values.

- The degree of protection is tested using the method specified by the standard (EN60947-5-1). Confirm that sealing properties are sufficient for the operating conditions and environment beforehand. Although the switch box is protected from dust, oil or water penetration, do not use the D4BL in places where dust, oil, water, or chemicals may enter through the key hole on the head, otherwise Switch damage or malfunctioning may occur.
- The durability is for an ambient temperature of 5°C to 35°C and an ambient humidity of 40% to 70%.
- These figures are minimum requirements for safe operation.



OMRON SCIENTIFIC TECHNOLOGIES, INC.  
USA Tel. 1/888/510-4357 Canada Tel. 1/866/986-6766



For the Latest Information  
On the Internet: [www.sti.com](http://www.sti.com) or [www.omron.ca](http://www.omron.ca)

OMRON

## Solenoid Coil Characteristics

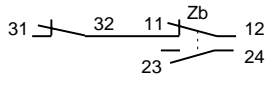
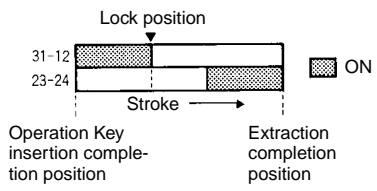

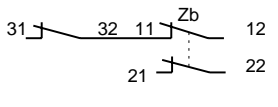
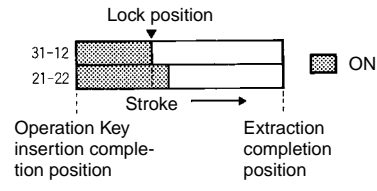

Item	24-VDC mechanical lock models	110-VAC mechanical lock models	24-VDC solenoid lock models
Rated operating voltage	24 VDC $+10\%$ $-15\%$ (100% ED)	110 VAC $\pm 10\%$ (50/60 Hz)	24 VDC $+10\%$ $-15\%$ (100% ED)
Current consumption	Approx. 300 mA	Approx. 98 mA	Approx. 300 mA
Insulation	Class F (130°C or less)		

## Indicator Characteristics

Item	LED
Rated voltage	10 to 115 VAC/VDC
Current leakage	Approx. 1 mA
Color (LED)	Orange, green

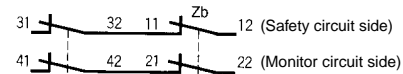
## Connections

### Contact Form (Diagrams Show State with Key Inserted and Lock Engaged)

Model	Contact	Operating pattern	Remarks
D4BL-□C□□-□	1NC/1NO+1NC 		Only NC contacts 11-12 and 31-32 have an approved direct opening mechanism.  The terminals 11-12 and 23-24 can be used as unlike poles.
D4BL-□D□□-□	2NC+1NC 		NC contacts 11-12, 21-22, and 31-32 have an approved direct opening mechanism.  The terminals 11-12 and 21-22 can be used as unlike poles.

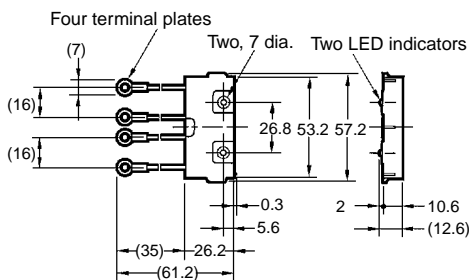
**Note:** The EN-approved direct opening mechanism is indicated by  on the Switch.

### Contact Form 2NC + 2NC

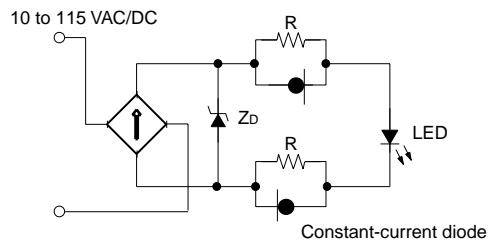


## Indicator Unit

### Dimensions



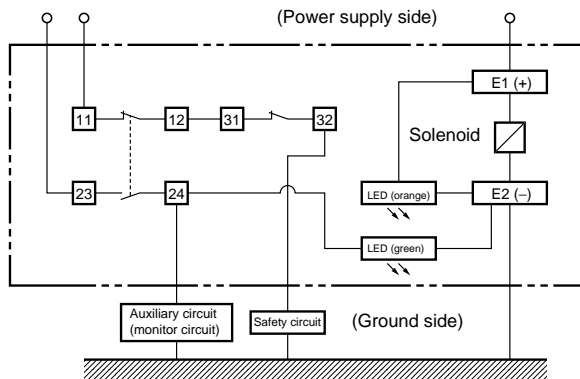
### Internal Circuit



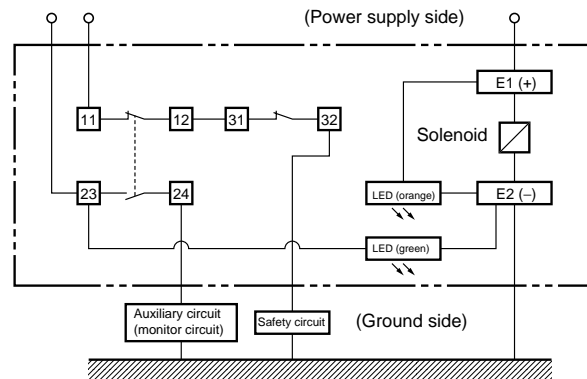
## ■ Circuit Connection Example

- Terminals 11 and 32 are connected internally and so connect terminals 12 and 31 for safety-circuit input. (GS-ET-19).
- When using indicators, connect them to the auxiliary circuit side (monitor circuit) or the solenoid input terminals as shown below.
- The indicators can be used to confirm the open/closed status of the door, the ON/OFF status of the power supply, and the ON/OFF status of the solenoid.
- Do not connect the indicators in parallel with the direct opening contact. If the indicators are broken, a short-circuit current may flow, causing equipment to malfunction.
- The 24-VDC solenoid terminals have polarity. Confirm the polarity before wiring.
- Be sure to use a special pushbutton switch to stop and start machinery and release locks.

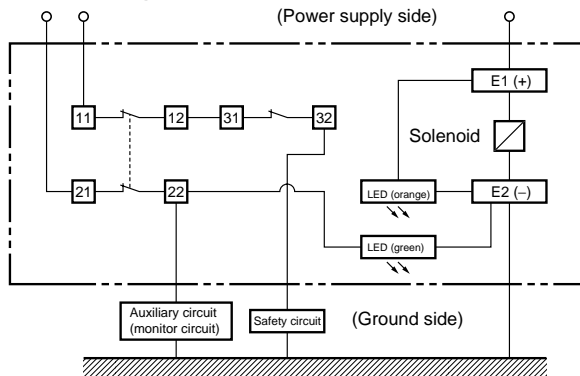
### 1. Orange: Lights when the solenoid turns ON. Green: Lights when the door opens.



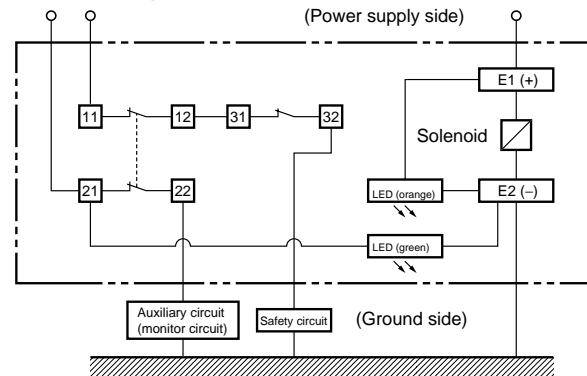
### 2. Orange: Lights when the solenoid turns ON. Green: Lights when power turns ON.



### 3. Orange: Lights when the solenoid turns ON. Green: Lights when door closes.



### 4. Orange: Lights when the solenoid turns ON. Green: Lights when power turns ON.

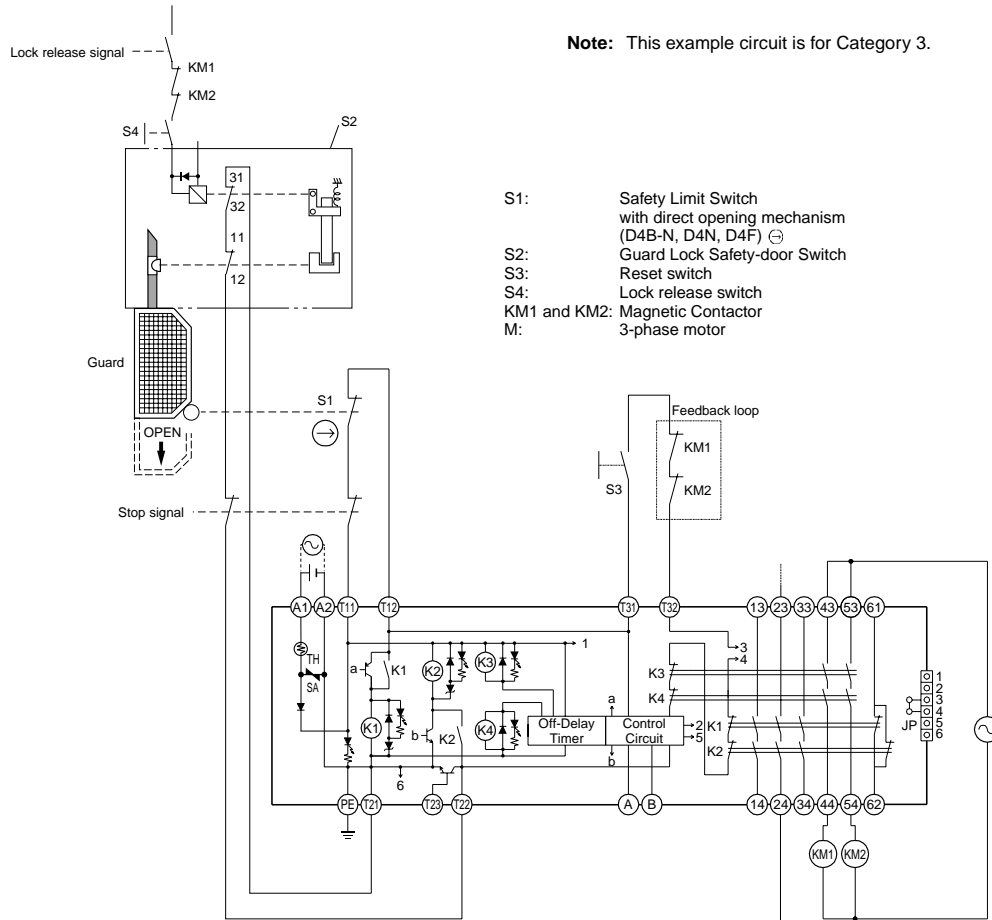


# ■ Connection Example with OMRON's G9SA Safety Relay Unit

## G9SA-321-T□ (24 VAC/VDC) + D4BL-□A-□, □B-□ (Mechanical Lock Type) Circuit Diagram (Manual Reset)

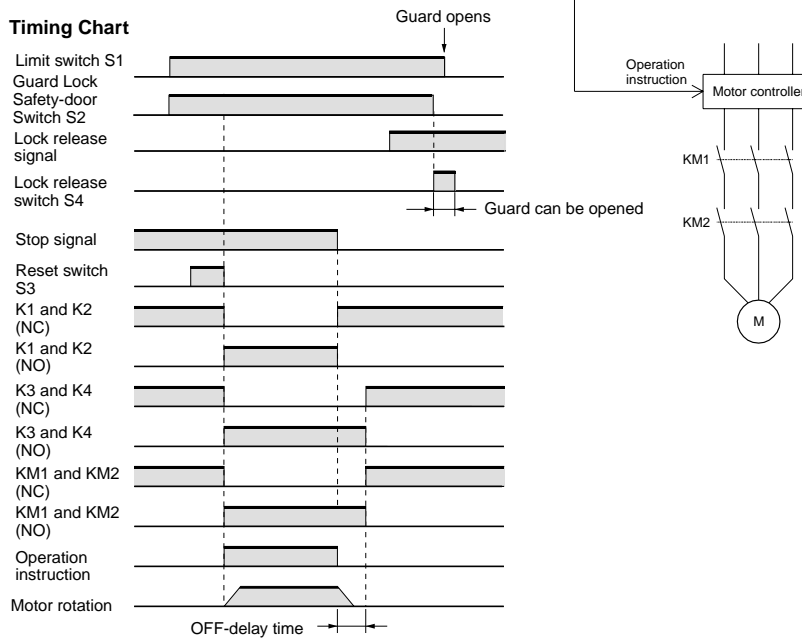
Safety Interlock Switches  
**D4BL**

**Note:** This example circuit is for Category 3.

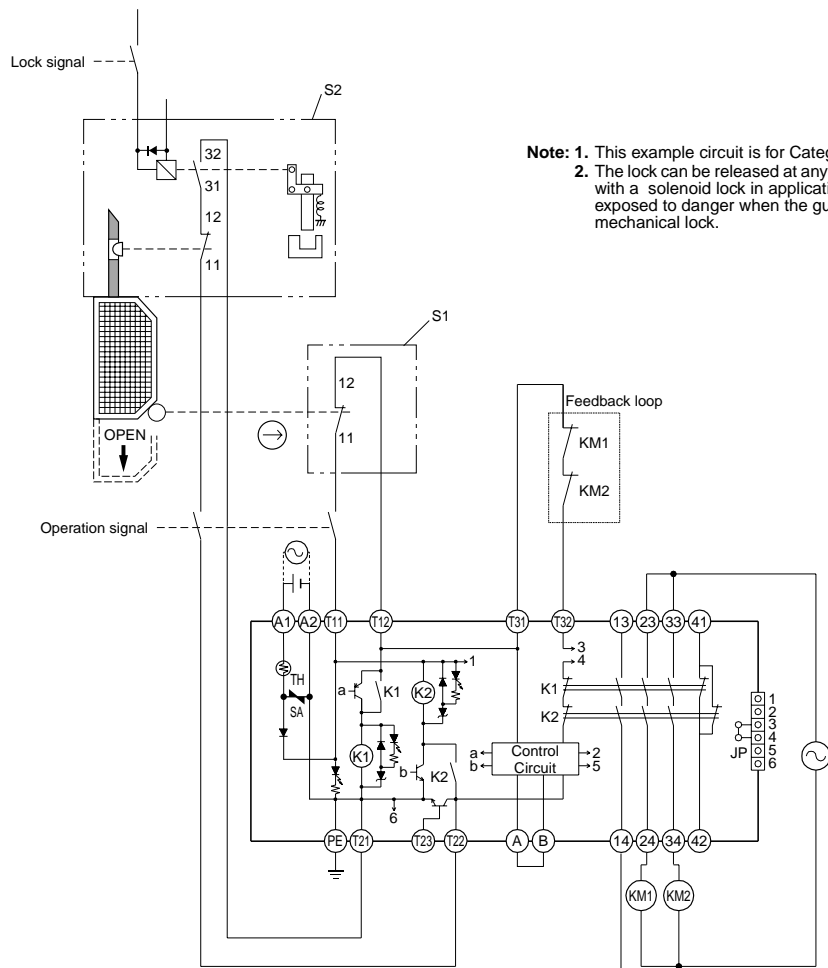


- S1: Safety Limit Switch with direct opening mechanism (D4B-N, D4N, D4F) ⊖
- S2: Guard Lock Safety-door Switch
- S3: Reset switch
- S4: Lock release switch
- KM1 and KM2: Magnetic Contactor
- M: 3-phase motor

### Timing Chart

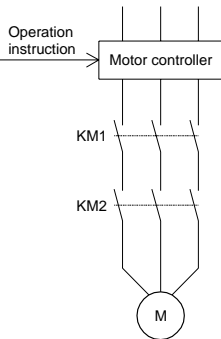
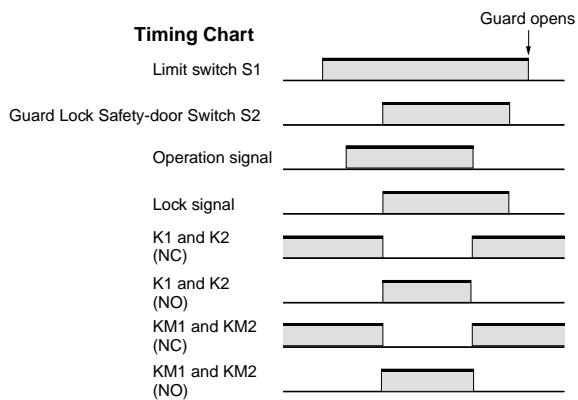


**G9SA-301 (24 VAC/VDC) + D4BL-□G-□ (Solenoid Lock Type) Circuit Diagram (Auto-reset)**



**Note:** 1. This example circuit is for Category 4.  
 2. The lock can be released at any time. Therefore, do not use a model with a solenoid lock in applications where the operator may be exposed to danger when the guard opens. Use a model with a mechanical lock.

**Timing Chart**



S1: Safety Limit Switch with direct opening mechanism (D4B-N, D4N, D4F) ⊕  
 S2: Guard Lock Safety-door Switch  
 KM1 and KM2: Magnetic Contactor  
 M: 3-phase motor

Safety Interlock Switches  
D4BL

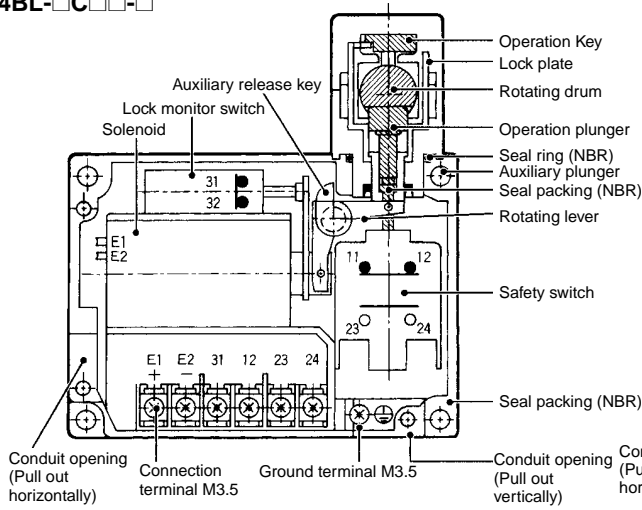


# Nomenclature

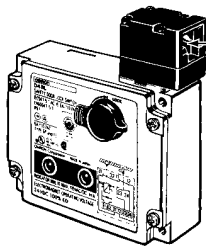
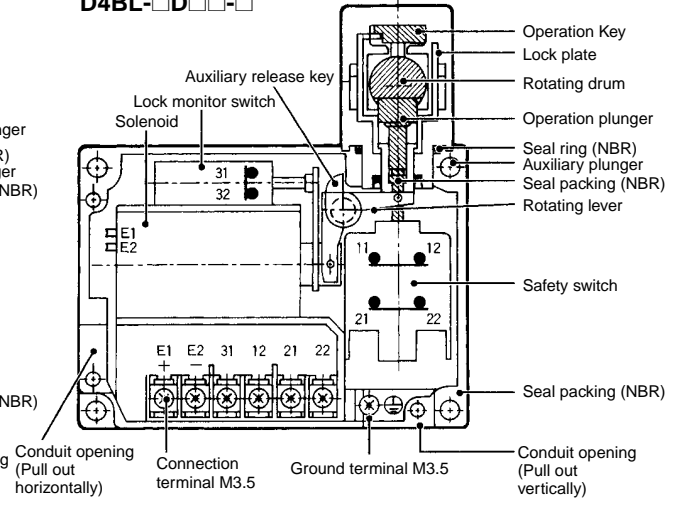
Safety Interlock Switches

D4BL

D4BL-□C□□-□



D4BL-□D□□-□



The head can be changed to any of four directions.

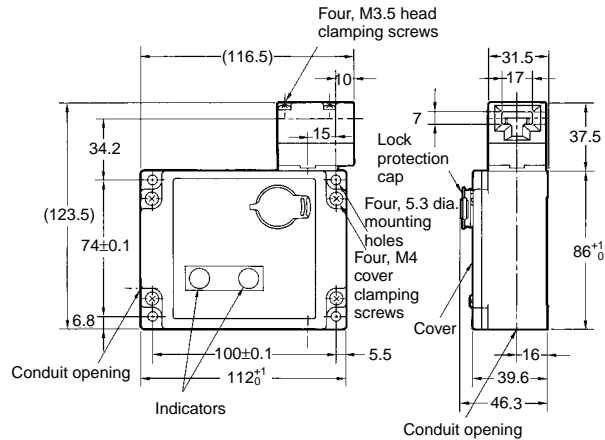
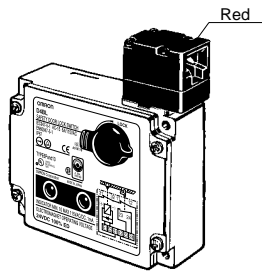


# Dimensions

- Note:** 1. All units are in millimeters unless otherwise indicated.  
 2. Unless otherwise specified, a tolerance of  $\pm 0.4$  mm applies to all dimensions.  
 3. There are fluctuations in the contact ON/OFF timing for 2NC contacts. Confirm performance before application.

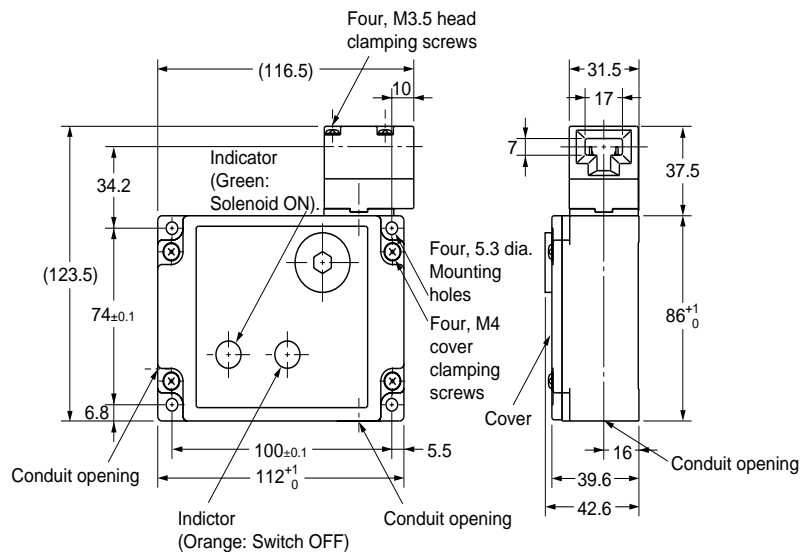
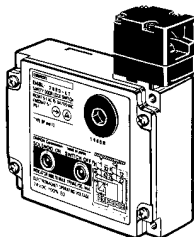
## Switches

D4BL-□□□□-□



Operating Characteristics	D4BL-□□□□
Key insertion force	19.61 N max.
Key extraction force	19.61 N max.
Movement before being locked	15 mm max.

D4BL-2GRD-AT

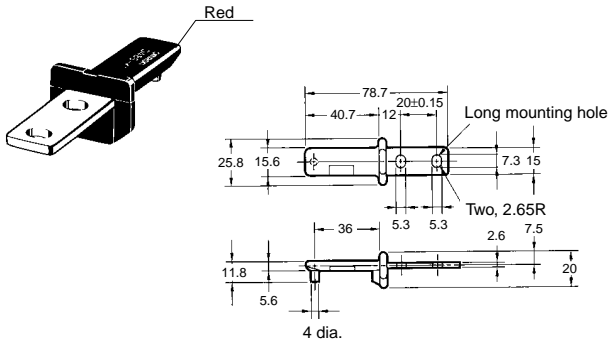


Operating Characteristics	D4BL-2GRD-AT
Key insertion force	19.61 N max.
Key extraction force	19.61 N max.
Movement before being locked	15 mm max.

## ■ Operation Keys

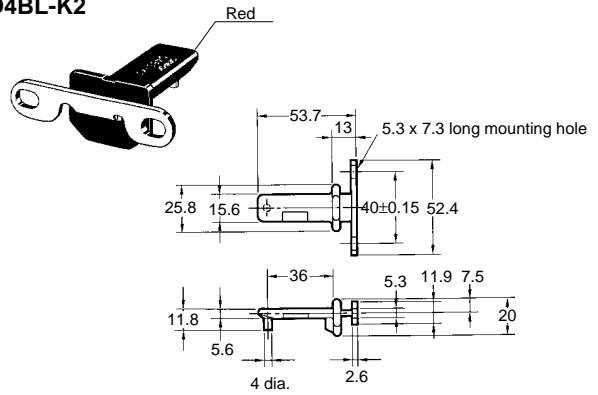
### Horizontal Mounting

D4BL-K1



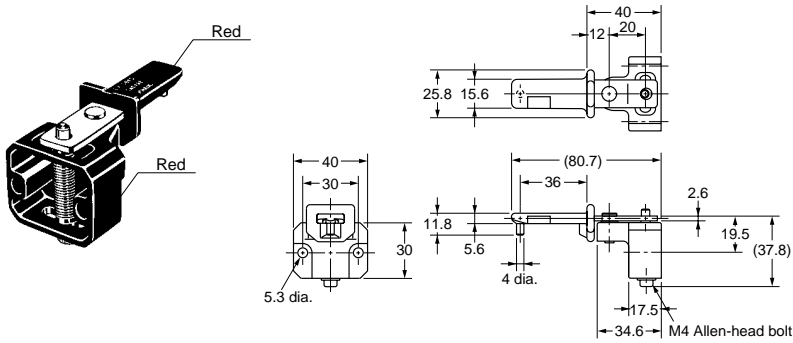
### Vertical Mounting

D4BL-K2



### Adjustable Mounting (Horizontal)

D4BL-K3

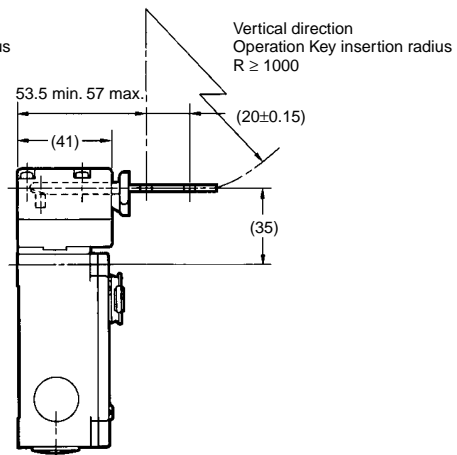
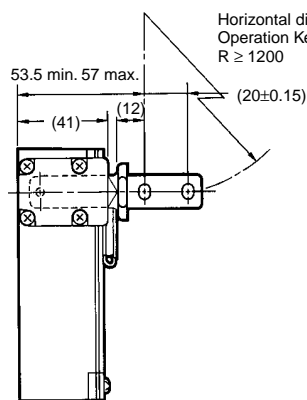
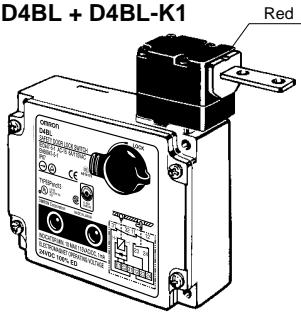


Safety Interlock Switches  
D4BL

## ■ With Operation Key Inserted

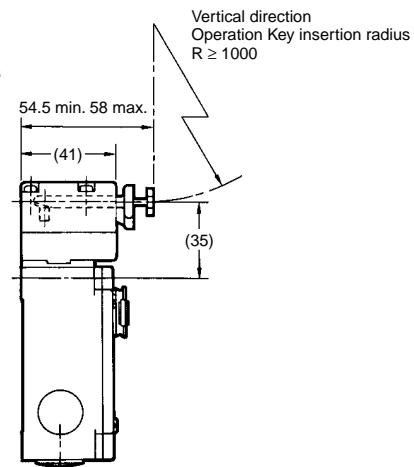
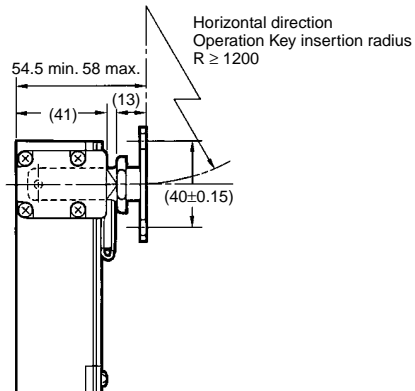
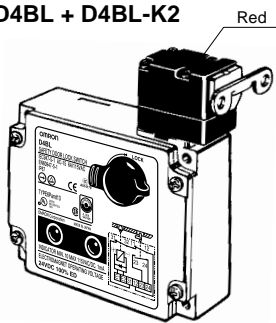
### Horizontal Mounting

D4BL + D4BL-K1



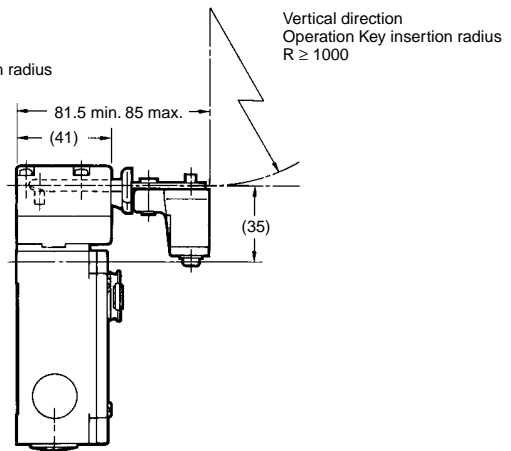
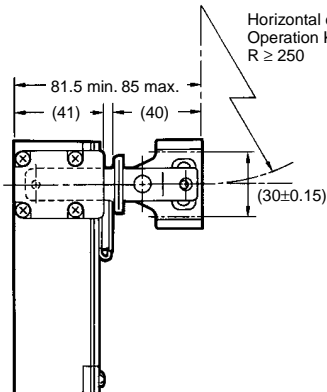
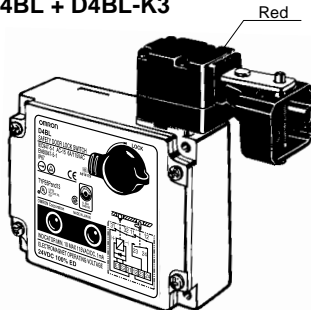
### Vertical Mounting

D4BL + D4BL-K2



### Adjustable Mounting (Horizontal)

D4BL + D4BL-K3



**Note:** 1. Unless otherwise specified, a tolerance of  $\pm 0.4$  mm applies to all dimensions.

2. In the above diagrams, the Operation Key is inserted from the front.

# Safety Precautions

## ⚠ CAUTION

Do not insert the Operation Key when the door is open. The machine may operate, possibly resulting in injury. Before using the machine, be sure to remove the shock-absorbing damper, which is provided before shipping.



## ■ Precautions for Safe Use

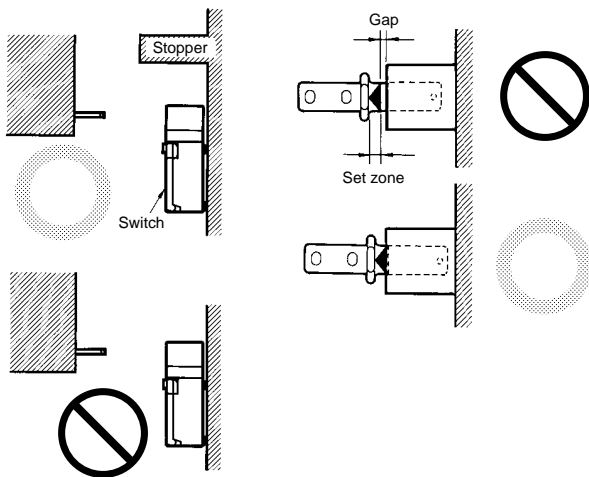
- Do not use the Switch submersed in oil or water or in locations continuously subject to splashes of oil or water. Doing so may result in oil or water entering the Switch. (The IP67 degree of protection of the Switch specifies the amount of water penetration after the Switch is submerged in water for a certain period of time.)
- Although the Switch body is protected from the ingress of dust or water, avoid the ingress of foreign substance through the key hole on the head.
- Otherwise, accelerated wear or breaking may result.
- Always attach the cover after completing wiring and before using the Switch. Electric shock may occur if the Switch is used without the cover attached.

Connect a fuse in series with the D4BL in series to protect it from short-circuit damage. The value of the breaking current of the fuse must be calculated by multiplying the rated current by 150% to 200%.

To prevent the D4BL from burning due to overvoltage, insert a protection fuse into the solenoid circuit.

## Stopper Installation

Do not use a Switch as a stopper. Be sure to install a stopper as shown in the following illustration when mounting the Switch so that the Operation Key is within 0.5 to 5 mm of the set zone.



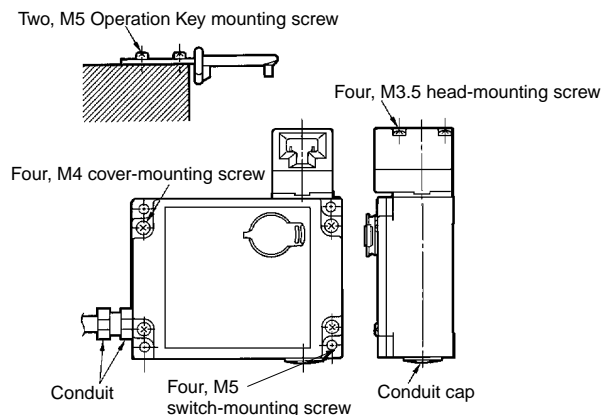
## ■ Precautions for Correct Use

### Tightening Torque

Loose screws may result in malfunction. Tighten the screws to the specified torques.

	Type	Torque
1	M3.5 terminal screw (including terminal screw)	0.59 to 0.78 N·m
2	Cover mounting screw	1.18 to 1.37 N·m
3	Head mounting screw	0.78 to 0.98 N·m
4	M5 body mounting screw (See note.)	4.90 to 5.88 N·m
5	Operation Key mounting screw	2.35 to 2.75 N·m
6	Connector	1.77 to 2.16 N·m
7	Cap screw	1.27 to 1.67 N·m

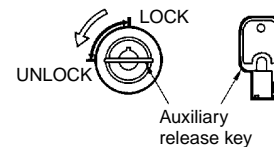
**Note:** Use M5 screws. Apply a torque of 4.90 to 5.88 N·m for an Allen-head bolt. For a pan head screw, apply a torque of 2.35 to 2.75 N·m



## Auxiliary Release Key

The auxiliary release key is used to unlock the D4BL in case of emergency or in case the power supply to the D4BL fails.

Use the enclosed Release Key to change the lock from LOCK to UNLOCK so that the lock will be released and the door can be opened. (Applies only to mechanical locks.)



The auxiliary release key applied to the door of a machine room ensures the safety of people adjusting the equipment in the machine room. If the auxiliary release key is set to UNLOCK, the door will not be locked when the door is closed and no power will be supplied to the equipment.

Whenever the lock has been changed to UNLOCK, always return it to LOCK before using the Switch.

Do not use the auxiliary release key to start or stop machines.

To prevent the auxiliary release key from being handled carelessly by unauthorized people, seal the auxiliary release key with sealing wax and the provided seal cap to ensure IP67.

Make sure that the auxiliary release key is kept with the person in charge.

Before attaching the cover to the D4BL, make sure that the auxiliary release key position is set to LOCK.

## Solenoid Lock Models

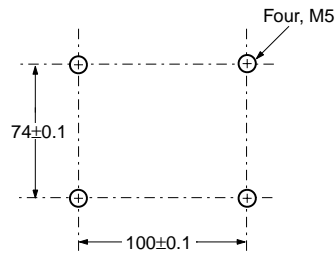
The solenoid lock locks the door only when power is supplied to the solenoid. Therefore, the door will be unlocked if the power supply to the solenoid stops. Therefore, do not use solenoid lock models for machines that may be operating and dangerous even after the machine stops operating.

## Switch and Operation Key Mounting

Mount the D4BL and Operation Key with four M5 screws with washers and tighten each screw to the specified torque.

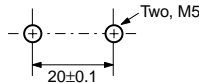
## Mounting Dimensions

### Switch Mounting Dimensions

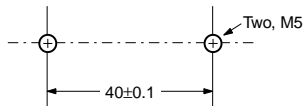


### Operation Key Mounting Holes

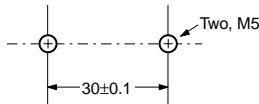
- Horizontal Mounting  
D4BL-K1



- Vertical Mounting  
D4BL-K2



- Adjustable Mounting (Horizontal)  
D4BL-K3

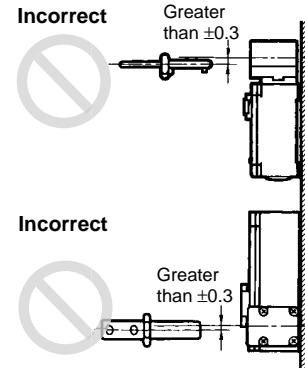


## Operation Key

The D4BL is provided with a shock-absorbing damper to protect the D4BL from damage that may result from dropping the D4BL during transportation. Be sure to remove the damper after mounting the D4BL.

The mounting tolerance of the Operation Key is  $\pm 0.3$  mm vertically or horizontally. Be sure to mount the D4BL correctly without leaning, otherwise the D4BL may soon break or wear out.

Observe the specified insertion radius for the Operation Key and insert it in a direction perpendicular to the key hole.



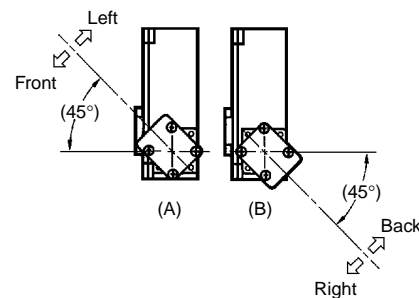
The Operation Key for the D4BL is different from the one for the D4BS.

## Head Direction

The head can be mounted in four directions. To remove the head, turn the head by  $45^\circ$  as shown in figures (A) and (B) below.

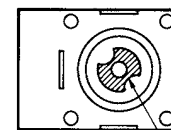
To change the direction of the head, make sure that the protruding part of the rotating lever engages with the groove of the plunger. Then turn the head clockwise or counterclockwise to the desired direction. At that time, make sure that the groove of the plunger is located under the rotating lever. If the direction of the head is not set when the plunger is rotated by  $45^\circ$ , the groove of the plunger presses the rotating lever. The head, plunger, or the built-in switch may be damaged as a result.

## Head Direction Changes

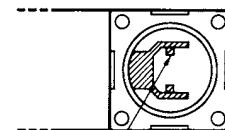


Head Bottom View

Switch Top View

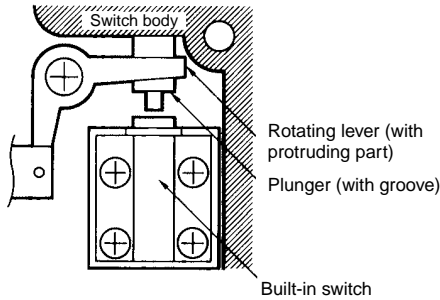


Operation plunger and groove mechanism



Rotation lever and protruding part

**Normal Positions of Rotating Lever and Plunger**



Safety Interlock Switches  
D4BL

Be sure to check the mechanical lock and solenoid release functions when mounting the D4BL.

If the head direction is changed, recheck the tightening torque of each of screw. Make sure that no foreign materials will enter through the key hole on the head.

**Processing and Connecting Cable/Conduit**

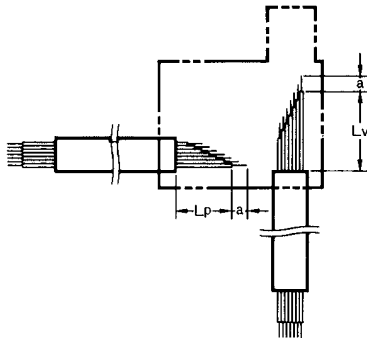
The following procedures are recommended for mounting and wiring the indicator unit securely.

To ensure IP67, use OMRON's SC-□M and Nippon Flex's ABS-08Pg13.5 and ABS-12 Pg13.5 Connectors.

Recommended cable: UL2464-type cable that is AWG20 to AWG18 (0.5 to 1.0 mm<sup>2</sup>) in size and has seven conductors

If the 1/2-14NPT is used, cover the cable and conduit end with sealing tape to ensure IP67. Tighten the connector to a torque of 1.77 to 2.16 N·m.

Connect the indicator unit after connecting the seven-conductor cable.



Terminal no.	Lp (mm)	Lv (mm)	a (mm)
E <sub>1</sub>	30±2	80±2	8±1
E <sub>2</sub>	35±2	75±2	
31	45±2	60±2	
12	55±2	50±2	
23 (21)	65±2	45±2	
24 (22)	70±2	35±2	
	90±2	50±2	

Properly attach and securely tighten the provided conduit cap to the unused conduit opening when wiring the D4BL.

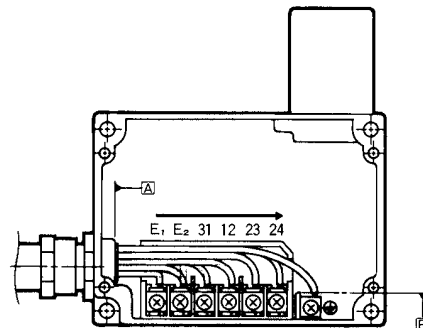
**Mounting the Cover**

When tightening the cover, first check the specified torque, and then tighten each screw to the that torque. Also, make sure that no foreign material has entered the Switch.

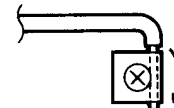
When mounting the cover, make sure that the cover and switch box are properly aligned.

**Cable Connection Example**

1. Connect the wires to the terminals in the order shown below for wiring efficiency.

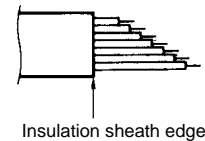


Tighten each wired terminal clockwise to a torque of 0.59 to 0.78 N·m.



Twist the wire two or three times and make sure that no bare wire exists outside the terminal when tightening the terminal.

2. The insulation sheath of the seven-conductor cable must come into contact with the wall of the conduit mouth, side A or side B.



**Others**

Do not touch the solenoid because the solenoid radiates heat while power is being supplied.

ALL DIMENSIONS SHOWN ARE IN MILLIMETERS.  
To convert millimeters into inches, multiply by 0.03937. To convert grams into ounces, multiply by 0.03527.

In the interest of product improvement, specifications are subject to change without notice.



OMRON SCIENTIFIC TECHNOLOGIES, INC.  
USA Tel. 1/888/510-4357 Canada Tel. 1/866/986-6766



For the Latest Information  
On the Internet: [www.sti.com](http://www.sti.com) or [www.omron.ca](http://www.omron.ca)

