



### BAF1-2RN2-RH



**Enclosed Switches Series BAF/DTF:  
Top Roller Arm Actuator, Adjustable  
with Steel Roller; 1NC 1NO SPDT Snap  
Action; Actuator Position - Right**

*Actual product appearance may vary.*

#### Features

- Up to 20 ampere capacity
- Cast aluminum housing with three-hole mounting
- Right or left-handed (sealed or unsealed) actuators
- Cover seal, captive cover screws
- Momentary or maintained contact
- UL recognized, file #E12252
- CSA certified, file #LR41372
- Sealed to NEMA 1, 3, 4 and 13 requirements
- Grounding screw

#### Potential Applications

- Packaging equipment
- Special machinery
- Agricultural machinery
- Conveyors
- Overhead cranes and hoists

#### Description

The elastomer boot on sealed actuator versions protects the actuating mechanism and the internal basic switch from contaminants. There is a seal gasket between the cover plate and the enclosures on all versions. The cover plate is removed for ease of wiring and switch replacement without demounting the switch. The actuator position is designated "right" or "left," when looking at the nameplate.

Product Specifications	
Availability	Global
Operating Force (O.F.)	8,90 N max. [2.0 lbs max.]
Release Force (R.F.)	2,22 N min. [0.50 lbs min.]
Pretravel (P.T.)	5,56 mm max. [0.219 in max.]
Overtravel (O.T.)	6,35 mm min. [0.25 in min.]
Differential Travel (D.T.)	0,51 mm max. [0.020 in max.]
Product Type	Enclosed Switches
Actuator	Top Roller Arm
Lever Style	Roller - Adjustable

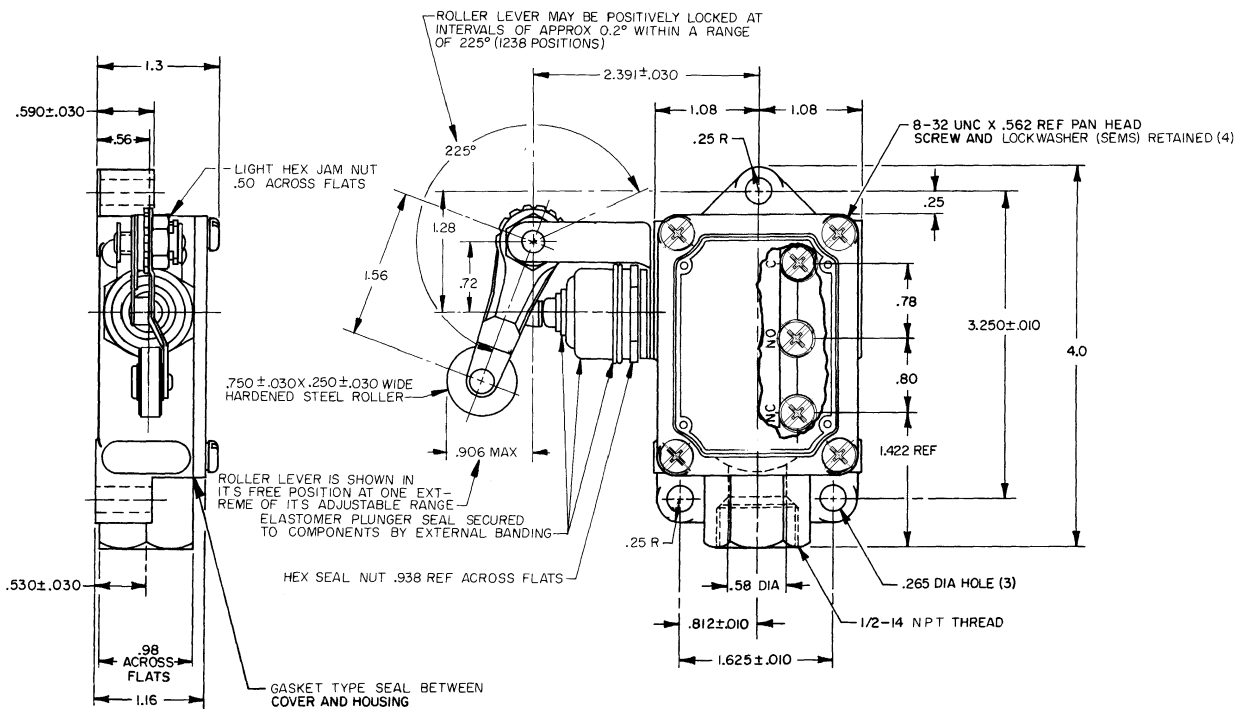
Circuitry	1NC 1NO SPDT Snap Action
Ampere Rating	20 A Ind./0.5 A Res./0.25 A Res.
Supply Voltage	125 Vac, 250 Vac, 480 Vac/125 Vdc/250 Vdc
Housing Material	Aluminum Die-Cast
Termination Type	0.5 in - 14NPT conduit
Series Name	BAF/DTF
Sealing	NEMA 1, 3, 4, and 13
Approvals	UL recognized, CSA certified
CSA File #	LR41372
UL File #	E12252
Operating Temperature Range	-32 °C to 71 °C [-25 °F to 160 °F]
Comment	With seal boot on plunger; Lever field adjustable 360° horizontally and 225° vertically; Right-hand actuator position
UNSPSC Code	302119
UNSPSC Commodity	302119 Switches and controls and relays
Sealed	Industrial

CATALOG LISTING  
**BAF1-2RN2-RH**  
 ISSUE 19  
 REVISIONS  
 A 1730-  
 10 MAY 95  
 B (C001515)  
 J A K  
 6 MAR 97  
 JUA 25 MAY 95  
 JUV 10 MAY 95  
 FORMTEX

**MICRO SWITCH**  
a Honeywell Division  
FED. MFG. CODE 81929

**SWITCH - ENCLOSED**

CATALOG LISTING  
**BAF1-2RN2-RH**  
(RIGHT HAND)



THIS DRAWING COVERS A PROPRIETARY ITEM AND IS THE PROPERTY OF MICRO SWITCH, A DIVISION OF HONEYWELL. THIS DRAWING IS NOT TO BE COPIED OR USED WITHOUT THE APPROVAL OF MICRO SWITCH

THIRD ANGLE PROJECTION

CHARACTERISTICS	ELECTRICAL DATA	SCALE FULL
OPERATING FORCE - - - - - 2 LBS MAX	CONTACT ARRANGEMENT S P D T	DO NOT SCALE PRINT
RELEASE FORCE - - - - - 1/2 LB MIN	L23 20A 125, 250 OR 480 VAC	UNLESS OTHERWISE SPECIFIED TOLERANCES ARE
PRETRAVEL - - - - - .219 MAX	10A 125 VAC 1"	ONE PLACE (1.0) ±.030
DIFFERENTIAL TRAVEL - - - .020 MAX	1HP 125 VAC, 2HP 250 VAC	TWO PLACE (1.00) ±.015
OVERTRAVEL - - - - - .250 MIN	1/2A 125 VDC, 1/4A 250 VDC	THREE PLACE (1.000) ±.005
SWITCH-BASIC REPLACEMENT - BA-2R708-P7		ANGLES ±
		WEIGHT .670 LB

- NOTES**
- 1 - ROLLER LEVER BRACKET ASSEMBLY MAY BE SET IN ANY POSITION AROUND AXIS OF PLUNGER
  - 2 - 8-32 UNC X (.219) BINDER HEAD, COMBINATION, TERMINAL SCREWS AND CUP WASHERS