

# MICRO SWITCH

A DIVISION OF MINNEAPOLIS-HONEYWELL REGULATOR COMPANY  
 MINNEAPOLIS, MINNESOTA

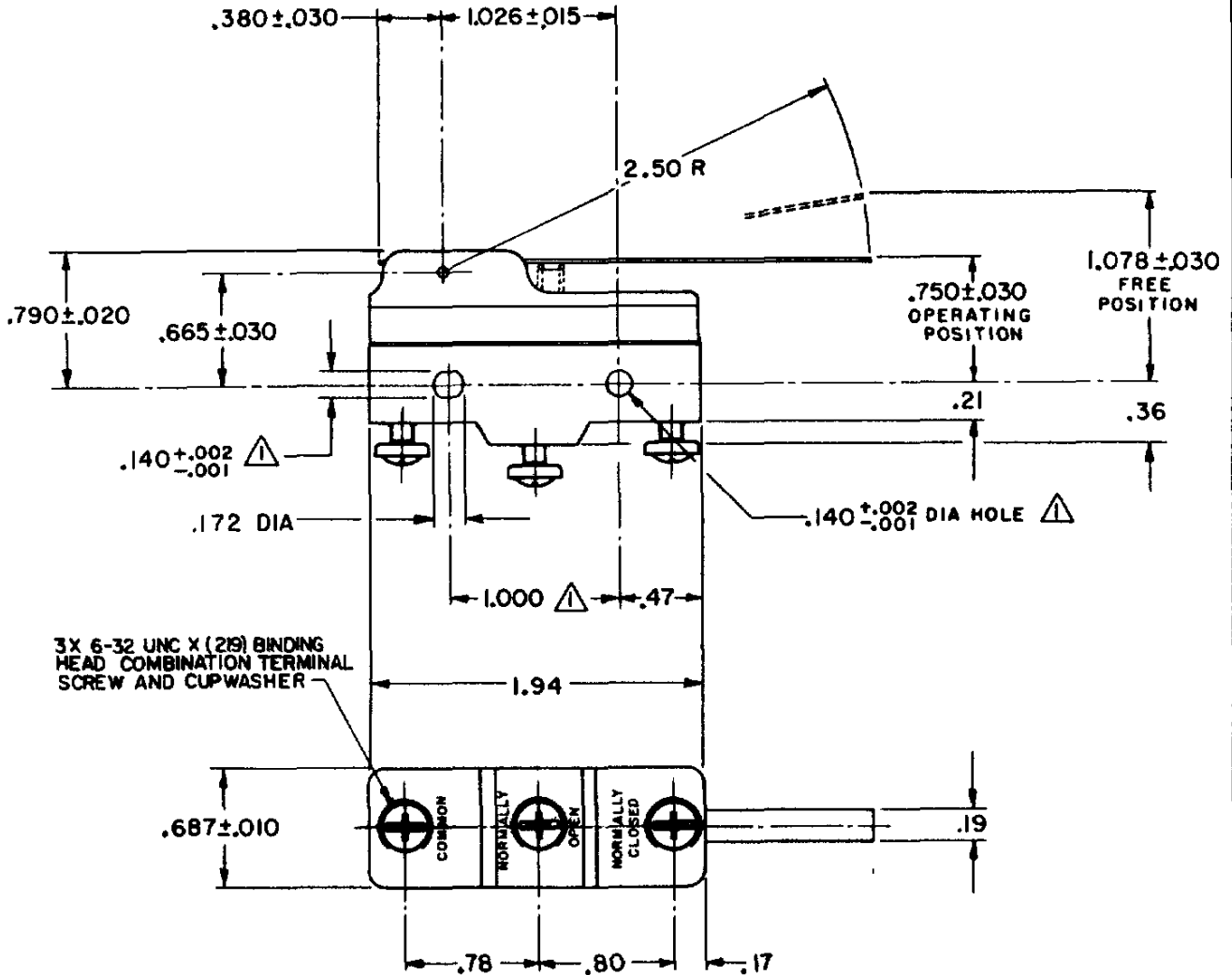
FED. MFR CODE 91929

# SWITCH - BASIC

CATALOG LISTING

**BZ-2RW824-A2**

**BZ-2RW824-A2**  
 PAGE 1 OF 1  
 M  
 DRAWING NUMBER  
 9  
 ISSUE  
 REVISIONS  
 A CO 18736  
 9 CH 30 APRIL 62  
 B CDI7410  
 L E B 18 MAR 63  
 C C O 47849  
 D J S 21 JUN 80  
 D CO 73287-E  
 D H P 5 OCT 93  
 E CO 77588  
 MAM 29 MAR 94  
 F CO93346  
 DLT 2 SEP 98  
 FORMTEK  
 FO-50376  
 DRAWN  
 GCH  
 30 APRIL 62  
 CHECK  
 DAW  
 11 MAY 62  
 CHECK  
 MAYER



3 X 6-32 UNC X (.219) BINDING HEAD COMBINATION TERMINAL SCREW AND CUP WASHER

**NOTE**  
 1 - MOUNTING HOLES WILL ACCEPT PINS OR SCREWS OF .139 MAX DIA ON 1.000±.002 CENTERS  
 2 - SWITCH WILL WITHSTAND TEMPERATURE OF 250° F

THIS DRAWING COVERS A PROPRIETARY ITEM AND IS THE PROPERTY OF MICRO SWITCH, A DIVISION OF MINNEAPOLIS-HONEYWELL REGULATOR CO. THIS DRAWING IS NOT TO BE COPIED OR USED WITHOUT THE APPROVAL OF MICRO SWITCH.

CHARACTERISTICS	ELECTRICAL DATA	SCALE FULL
OPERATING FORCE ----- 2 1/2 OZ MAX	CONTACT ARRANGEMENT S P D T	DO NOT SCALE PRINT
RELEASE FORCE ----- 1/2 OZ MIN	UL LISTED-FILE E12252 15A-125, 250 OR 480 VAC, 2A-600 VAC 1/8 HP-125 VAC; 1/4 HP-250 VAC 1/2A-125 VDC; 1/4A-250 VDC	UNLESS OTHERWISE SPECIFIED DIMENSIONS ARE IN INCHES <b>TOLERANCES ARE:</b>
DIFFERENTIAL TRAVEL ----- .007 - .050	CODE L74 L288 L299 L306	ONE PLACE (0) ±.030 TWO PLACE (.00) ±.018 THREE PLACE (.000) ±.008 ANGLES ±
OVERTRAVEL ----- .219 MIN	CE D S 16A 250V ~ T85 5E4	WEIGHT .073 LB