



### 22AC2



**AC Series Door Switch, Single Pole Double Throw Circuitry, 15 A at 250 Vac, Rod Actuator, Silver Contacts, Screw Termination**

*Actual product appearance may vary.*

#### Features

- Automatically cuts power when service door or drawer is opened
- Choice of momentary, maintained or pull-to-charge actuation
- Versatile mounting bracket for side or end mounting
- Current rating ranges from 5 A to 25 A
- Available with one or two SPDT switches
- UL recognized versions available
- Choice of termination

#### Potential Applications

- Appliances
- Vending machines
- Office equipment
- Computer/business equipment
- Test instruments
- Medical/dental equipment
- Communications equipment
- HVAC equipment

#### Description

MICRO SWITCH™ AC Series Door Switches are used for simple or precision on/off application needs. They enable circuit testing with POWER ON by manually pulling a rod actuator to the maintained-ON position. Closing the door resets the switch.

Product Specifications	
Switch Type	Door 38,1 mm H x 12,7 mm W x 38,1 mm L [1.5 in H x 0.5 in W x 1.5 in L]
Sealed	No
Ampere Rating	15 A
Circuitry	Single Pole Double Throw (SPDT)
Actuator	Rod
Termination	Screw
Operating Temperature Range	-18 °C to 82 °C [-65 °F to 180 °F]
Voltage	250 Vac
Contact Type	Silver
Operating Position (O.P.)	5,16 mm [0.203 in] min.

Free Position (F.P.)	9,53 mm [0.375 in] max.
Housing Material	Stainless Steel Bracket, Polyester Rod
Weight	34,02 g [.075 lb]
Package Height	39,9 mm [1.57 in]
Package Width	13,21 mm [.52 in]
Package Length	50,0 mm [1.97 in]
Availability	Global
UNSPSC Code	30211905
UNSPSC Commodity	30211905 Snap switches
Series Name	AC

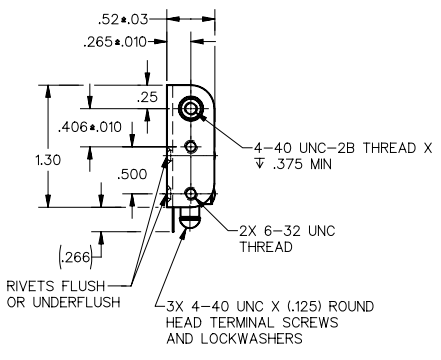
---

CATALOG LISTING 22AC2  
 ISSUE 4  
 PAGE 1 OF 1  
 RELEASE NO. SR-8863  
 REPLACES  
 CHECK  
 REVISIONS  
 A 10/67  
 B 1/68  
 C 4/68  
 DDM/CAD  
 DRAWN  
 K D R 4 OCT 98  
 CHECK

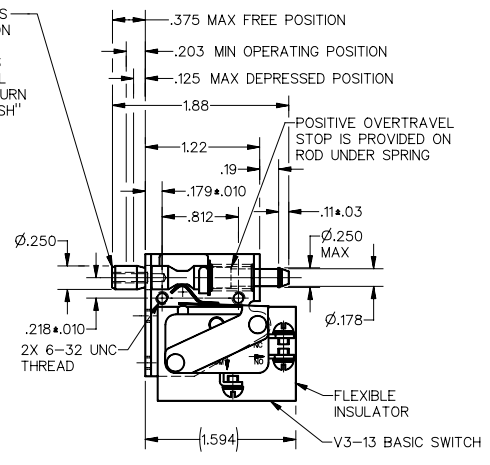
**MICRO SWITCH**  
 a Honeywell Division  
 FED. MFG. CODE 91924

**ASSEMBLY-SWITCH**

CATALOG LISTING  
**22AC2**  
 KC-Q0020



PUSH TO OPERATE--RETURNS AUTOMATICALLY TO POSITION SHOWN  
 PULL TO OPERATE--REMAINS IN OPERATED POSITION UNTIL RESET FOR AUTOMATIC RETURN BY NEXT FULL STROKE "PUSH" OPERATION



- NOTES
- 1 - NOTCH IN ACTUATOR ROD WILL PERMIT .035 DISPLACEMENT BETWEEN END OF ROD AND HOLE IN BRACKET
  - 2 - BASIC SWITCH PLASTIC PARTS ARE MADE OF MINERAL FILLED PHENOLICS
  - 3 - ACTUATOR ROD MADE OF HIGH STRENGTH PLASTIC
  - 4 - WITH ROD IN EITHER ACTUATED POSITION, BASIC SWITCH PLUNGER MUST HAVE .015 MIN OVERTRAVEL AND WITH ROD IN FREE POSITION BASIC SWITCH PLUNGER MUST HAVE .005 MIN RELEASE TRAVEL

THIS DRAWING COVERS A PROPRIETARY ITEM AND IS THE PROPERTY OF MICRO SWITCH, A DIVISION OF HONEYWELL. THIS DRAWING IS NOT TO BE COPIED OR USED WITHOUT THE APPROVAL OF MICRO SWITCH		THIRD ANGLE PROJECTION
<b>CHARACTERISTICS</b>		SCALE FULL
TOTAL TRAVEL .250 APPROX PUSH DIRECTION .187 APPROX PULL DIRECTION FULLY DEPRESSED FORCE---4 LBS MAX BREAK DISTANCE---.040 APPROX		DO NOT SCALE PRINT
<b>ELECTRICAL DATA</b>		<b>UNLESS OTHERWISE SPECIFIED TOLERANCES ARE</b>
CONTACT ARRANGEMENT S P D T		ONE PLACE (.0) ±.030
15.1A 1/2HP 125, 250 VAC		TWO PLACE (.00) ±.015
1/2A 125 VDC, 1/4A 250 VDC		THREE PLACE (.000) ±.005
5A 125 VAC "L"		ANGLES ±
		WEIGHT

ANSI Y14.5M-1982 APPLIES