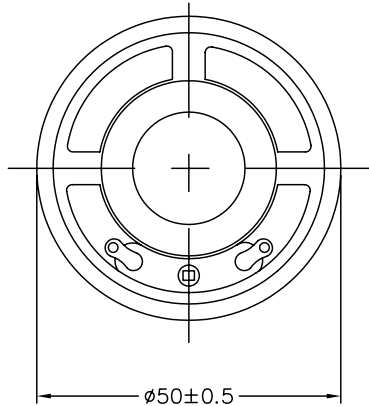


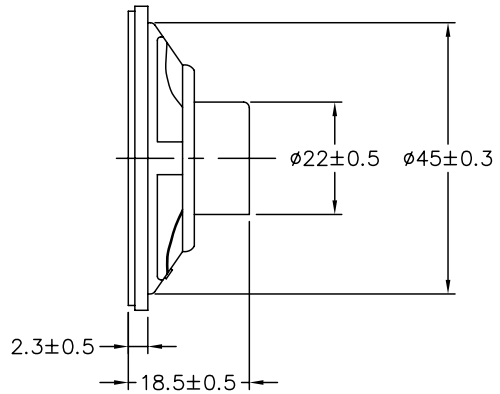
THIS DOCUMENT CONTAINS DATA PROPRIETARY TO PROJECTS UNLIMITED, INC. ANY USE OR REPRODUCTION, IN ANY FORM, WITHOUT PRIOR WRITTEN PERMISSION OF PROJECTS UNLIMITED, INC. IS PROHIBITED.
© 2003, Projects Unlimited Inc.

SPECIFICATIONS

PARAMETERS	VALUES	UNITS
RATED INPUT POWER	0.2	W
MAX INPUT POWER	0.4	W
IMPEDANCE	8±15%	OHM
OUTPUT SPL @ 1W/0.5M (AT 0.8, 1.0, 1.2, 1.5 kHz)	80±3	dB
DISTORTION	5%	-
RESONANT FREQUENCY	550±20%	Hz
FREQUENCY RANGE	550 ~ 4,500	Hz
HOUSING MATERIAL	METAL	-
CONE MATERIAL	CLEAR MYLAR	-
MAGNET MATERIAL	Nd-Fe-B	-
OPERATING TEMPERATURE	-20 ~ +60	°C
RELATIVE HUMIDITY (MAX)	90%	-
WEIGHT	31	grams




REVISIONS			
LTR	DESCRIPTION	DATE	APPROVED
-	RELEASED FROM ENGINEERING	3/5/03	
A	REVISED TO NEW TEMPLATE	3/23/04	R. W.



NOTES:

1. ALL DIMENSIONS ARE IN MILLIMETERS.
2. SPECIFICATION SUBJECT TO CHANGE OR WITHDRAWAL WITHOUT NOTICE.

FILE NAME
AS5008M-32.DWG

UNLESS OTHERWISE SPECIFIED: DIMENSIONS ARE IN MILLIMETERS. TOLERANCES ARE ±0.5 AND ANGLES ARE ±3°.		 projects® unlimited Dayton, Ohio									
<table border="1"> <thead> <tr> <th>APPROVALS</th> <th>DATE</th> </tr> </thead> <tbody> <tr> <td>DRAWN <i>B. W.</i></td> <td>3/03</td> </tr> <tr> <td>APPROVED <i>S. J.</i></td> <td>3/03</td> </tr> <tr> <td><i>R. W.</i></td> <td>3/03</td> </tr> </tbody> </table>		APPROVALS	DATE	DRAWN <i>B. W.</i>	3/03	APPROVED <i>S. J.</i>	3/03	<i>R. W.</i>	3/03	DYNAMIC SPEAKER AS5008M-32	
APPROVALS	DATE										
DRAWN <i>B. W.</i>	3/03										
APPROVED <i>S. J.</i>	3/03										
<i>R. W.</i>	3/03										
DO NOT SCALE DRAWING		SIZE A	DRAWING NO. AS5008M-32								
		SCALE: N.T.S.	SHEET 1 OF 1								