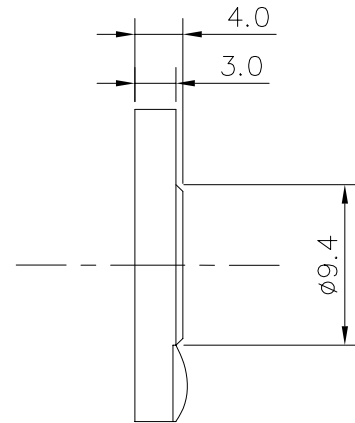
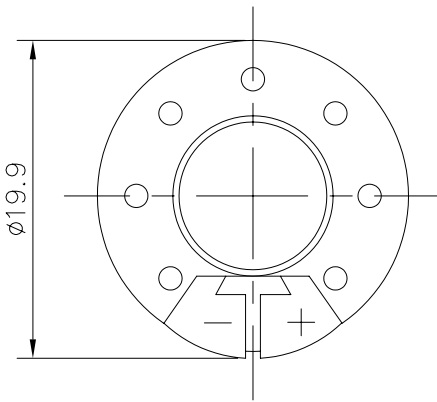


THIS DOCUMENT CONTAINS DATA PROPRIETARY TO PROJECTS UNLIMITED, INC. ANY USE OR REPRODUCTION, IN ANY FORM, WITHOUT PRIOR WRITTEN PERMISSION OF PROJECTS UNLIMITED, INC. IS PROHIBITED.  
© 2003, Projects Unlimited Inc.

SPECIFICATIONS

PARAMETERS	VALUES	UNITS
RATED INPUT POWER	0.08	W
MAX INPUT POWER	0.2	W
IMPEDANCE	8±15%	OHM
OUTPUT SPL @ 0.08W/10 cm (AT 1.0, 1.2, 1.5, 2.0 kHz)	86±3	dB
DISTORTION	5%	-
RESONANT FREQUENCY	750±20%	Hz
FREQUENCY RANGE	750 ~ 5,000	Hz
HOUSING MATERIAL	ABS UL-94 1/16" HB	-
CONE MATERIAL	SILVER POLYESTER	-
MAGNET MATERIAL	Nd-Fe-B	-
OPERATING TEMPERATURE	-20 ~ +55	°C
WEIGHT	2.3	grams

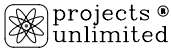


REVISIONS			
LTR	DESCRIPTION	DATE	APPROVED
-	RELEASED FROM ENGINEERING	4/11/02	
A	REVISED TO NEW TEMPLATE	4/14/04	R.W.
B	ADDED MISSING DIMENSIONS	1/6/05	R.W.

NOTES:

1. ALL DIMENSIONS ARE IN MILLIMETERS.
2. SPECIFICATION SUBJECT TO CHANGE OR WITHDRAWAL WITHOUT NOTICE.

FILE NAME  
ADS-2008.DWG

UNLESS OTHERWISE SPECIFIED: DIMENSIONS ARE IN MILLIMETERS, TOLERANCES ARE ±0.5 AND ANGLES ARE ±3°.		 <b>projects® unlimited</b> Dayton, Ohio							
<table border="1"> <thead> <tr> <th>APPROVALS</th> <th>DATE</th> </tr> </thead> <tbody> <tr> <td>DRAWN <i>RABL</i></td> <td>4/02</td> </tr> <tr> <td>APPROVED <i>S.J.</i></td> <td>8/02</td> </tr> </tbody> </table>		APPROVALS	DATE	DRAWN <i>RABL</i>	4/02	APPROVED <i>S.J.</i>	8/02	MINIATURE SPEAKER TRANSDUCER ADS-2008	
APPROVALS	DATE								
DRAWN <i>RABL</i>	4/02								
APPROVED <i>S.J.</i>	8/02								
SIZE A	DRAWING NO. ADS-2008								
DO NOT SCALE DRAWING		SCALE: N.T.S.	SHEET 1 OF 1						