

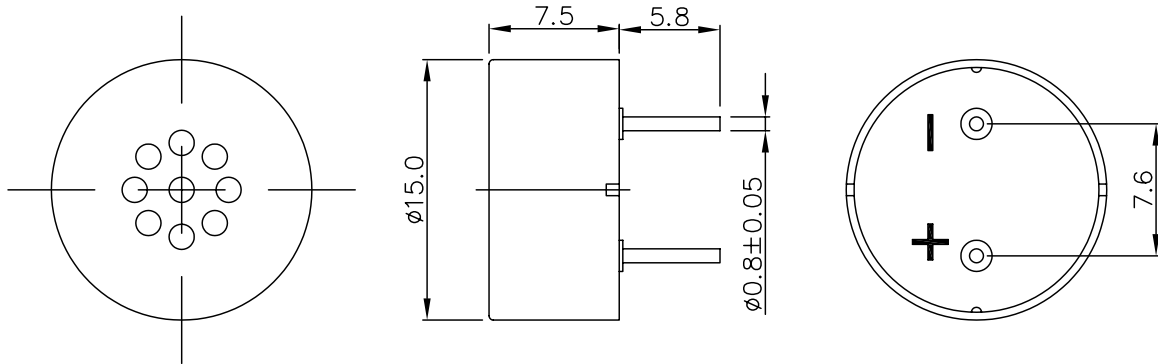
THIS DOCUMENT CONTAINS DATA PROPRIETARY TO PROJECTS UNLIMITED, INC. ANY USE OR REPRODUCTION, IN ANY FORM, WITHOUT PRIOR WRITTEN PERMISSION OF PROJECTS UNLIMITED, INC. IS PROHIBITED.
© 2003, Projects Unlimited Inc.

SPECIFICATIONS

PARAMETERS	VALUES	UNITS
RATED INPUT POWER	0.3	W
MAX INPUT POWER	0.5	W
IMPEDANCE	8±15%	OHM
OUTPUT SPL @ 0.3W/10cm (2.0, 2.5, 3.0, 4.0 kHz)	87±3	dB
DISTORTION	5%	-
RESONANT FREQUENCY	1,700±20%	Hz
FREQUENCY RANGE	1,700 ~ 20,000	Hz
HOUSING MATERIAL	PBT+20%GLASS	-
CONE MATERIAL	PET	-
MAGNET MATERIAL	Nd-Fe-B	-
OPERATING TEMPERATURE	-20 ~ +55	°C
WEIGHT	2	grams

REVISIONS

LTR	DESCRIPTION	DATE	APPROVED
-	RELEASED FROM ENGINEERING	3/3/04	



NOTES:

1. ALL DIMENSIONS ARE IN MILLIMETERS.
2. SPECIFICATION SUBJECT TO CHANGE OR WITHDRAWAL WITHOUT NOTICE.

FILE NAME
AST-01508MR.DWG

UNLESS OTHERWISE SPECIFIED:
DIMENSIONS ARE IN MILLIMETERS. TOLERANCES ARE ±0.5 AND ANGLES ARE ±3°.

APPROVALS	DATE
DRAWN R.A.C.	2/04
APPROVED R.W.	3/04

DO NOT SCALE DRAWING



projects®
unlimited

Dayton, Ohio

SPEAKER

SIZE
A

DRAWING NO.
AST-01508MR

SCALE: N.T.S.

SHEET 1 OF 1