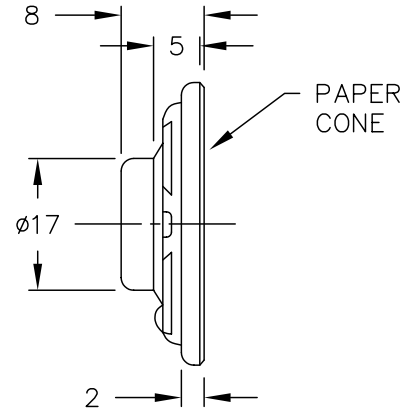
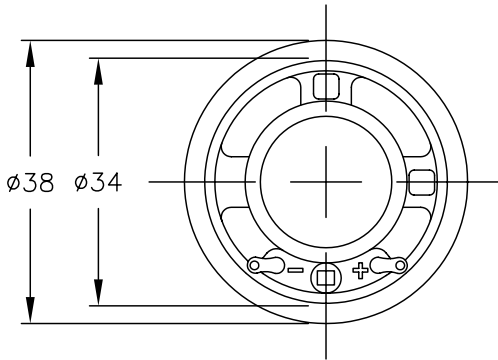


THIS DOCUMENT CONTAINS DATA PROPRIETARY TO PROJECTS UNLIMITED, INC. ANY USE OR REPRODUCTION, IN ANY FORM, WITHOUT PRIOR WRITTEN PERMISSION OF PROJECTS UNLIMITED, INC. IS PROHIBITED.
© 2005, Projects Unlimited Inc.

SPECIFICATIONS


PARAMETERS	VALUES	UNITS
RATED INPUT POWER	0.1	W
MAX INPUT POWER	0.1	W
IMPEDANCE	8±15%	OHM
OUTPUT SPL @ 1W/0.1M (AT 0.8, 1.0, 1.2, 1.5 kHz)	94±3	dB
DISTORTION (MAX.)	5%	-
RESONANT FREQUENCY	700±20%	Hz
FREQUENCY RANGE	700 ~ 8800	Hz
HOUSING MATERIAL	METAL	-
CONE MATERIAL	PAPER	-
MAGNET MATERIAL	COBALT	-
OPERATING TEMPERATURE	-20 ~ +60	°C
WEIGHT	10.4	grams



REVISIONS			
LTR	DESCRIPTION	DATE	APPROVED
-	RELEASED FROM ENGINEERING	05/07/02	
A	REVISED TO NEW TEMPLATE	11/16/05	B.R.

- NOTES:
- ALL DIMENSIONS ARE IN MILLIMETERS.
 - SPECIFICATION SUBJECT TO CHANGE OR WITHDRAWAL WITHOUT NOTICE.

FILE NAME
AT-38008.DWG

UNLESS OTHERWISE SPECIFIED: DIMENSIONS ARE IN MILLIMETERS. TOLERANCES ARE ±0.5 AND ANGLES ARE ±3°.		 Dayton, Ohio									
<table border="1"> <thead> <tr> <th>APPROVALS</th> <th>DATE</th> </tr> </thead> <tbody> <tr> <td>DRAWN <i>RABL</i></td> <td><i>05/02</i></td> </tr> <tr> <td>CHECKED <i>X.X.</i></td> <td><i>X/XX</i></td> </tr> <tr> <td>APPROVED <i>S.J.</i></td> <td><i>5/7/02</i></td> </tr> </tbody> </table>		APPROVALS	DATE	DRAWN <i>RABL</i>	<i>05/02</i>	CHECKED <i>X.X.</i>	<i>X/XX</i>	APPROVED <i>S.J.</i>	<i>5/7/02</i>	SPEAKER	
APPROVALS	DATE										
DRAWN <i>RABL</i>	<i>05/02</i>										
CHECKED <i>X.X.</i>	<i>X/XX</i>										
APPROVED <i>S.J.</i>	<i>5/7/02</i>										
DO NOT SCALE DRAWING		SIZE A	DRAWING NO. AT-38008								
		SCALE: N.T.S.	SHEET 1 OF 1								