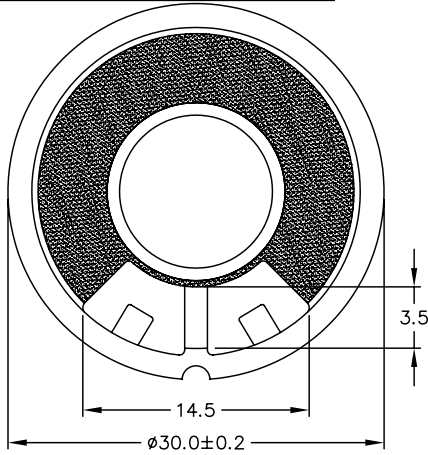


THIS DOCUMENT CONTAINS DATA PROPRIETARY TO PROJECTS UNLIMITED, INC. ANY USE OR REPRODUCTION, IN ANY FORM, WITHOUT PRIOR WRITTEN PERMISSION OF PROJECTS UNLIMITED, INC. IS PROHIBITED.
© 2003, Projects Unlimited Inc.

SPECIFICATIONS

PARAMETERS	VALUES	UNITS
RATED INPUT POWER	0.5	W
MAX INPUT POWER	1.0	W
IMPEDANCE	8.0	OHM
OUTPUT SPL @ 1W (AT 800, 1,000, 1,200, AND 1,500 Hz AVERAGE)	82±3	dB
DISTORTION	5%	-
RESONANT FREQUENCY	650±20%	Hz
FREQUENCY RANGE	650 ~ 15,000	Hz
HOUSING MATERIAL	METAL	-
CONE MATERIAL	MYLAR	-
MAGNET MATERIAL	N35	-
OPERATING TEMPERATURE	-20 ~ +60	°C
WEIGHT	5.2	grams



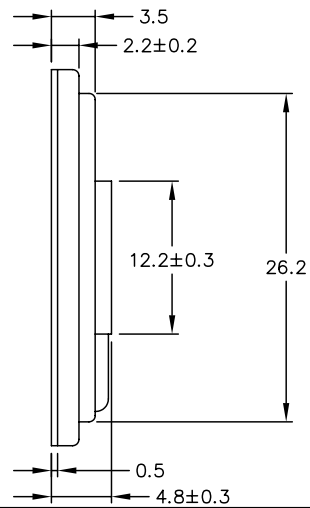
NOTES:

1. ALL DIMENSIONS ARE IN MILLIMETERS.
2. SPECIFICATION SUBJECT TO CHANGE OR WITHDRAWAL WITHOUT NOTICE.

FILE NAME
AS03008MR.DWG

REVISIONS

LTR	DESCRIPTION	DATE	APPROVED
-	RELEASED FROM ENGINEERING	2/6/04	



UNLESS OTHERWISE SPECIFIED:
DIMENSIONS ARE IN MILLIMETERS. TOLERANCES ARE ±0.5 AND ANGLES ARE ±3°.

APPROVALS	DATE
DRAWN R.A.C.	1/04
APPROVED R.W.	1/04

DO NOT SCALE DRAWING



projects®
unlimited

Dayton, Ohio

SPEAKER
AS03008MR

SIZE
A

DRAWING NO.
AS03008MR

SCALE: N.T.S.

SHEET 1 OF 1