

GNA5 Series Solid State Relays

- ▶ Current ratings 10 and 25 amps
- ▶ Output voltage 24 to 280 Vac
- ▶ Triac output
- ▶ Regulated AC and DC inputs
- ▶ 4000 Vac optical isolation
- ▶ UL E79183, CSA LR 38595, TUV Approved, CE Compliant



Output Specifications

Voltage range (Vrms)	24 - 280Vac	
Peak Voltage (Vpk, t = 1 min.)	600	
Off-state leakage (@ max. line voltage & Ta = 25°C)	0.10mArms	
Output Current (Mounted on proper heat sink, see deratings)	10	25
Minimum Current (mArms)	100	100
1 cycle surge current 50 Hz	90	230
1 cycle surge current 60 Hz	100	250
Max. 1 second surge current 50/60 Hz (Apk, Ta = 25°C)	30	75
Forward voltage drop (Vpk @ Imax, Ta = 25°C)	1.5	1.3
I ² T (50-60Hz)	40-40	260-250
Rjb (thermal res. Junction to baseplate, °C/W)	2.2	1.7
Static off-state dv/dt (Vµs, Ta = 25°C)	500	500
Minimum heat sink @ ambient (for max current = °C/W & Ta)	3.0@ 40°C	1.0@ 40°C

Input Specifications

Input voltage*	3-32Vdc	90-280Vac
Drop out voltage	1Vdc	10Vrms
Max. input current	14mA	8.5mArms
Min. input current (for on-state)	9.5mA	5mArms
Input Resistance	Current Regulated	
Turn-on time**	8.33ms	20ms
Turn-off time	8.33ms	30ms

General Characteristics

Operating Temperature (°C)	-20 to +80
Storage Temperature (°C)	-40 to +100
Input to output isolation	4000Vrms
Input/output to ground isolation	2500Vrms
Input to output capacitance	8pF (typical)
Operating Frequency	47 to 63 Hz
Housing Material	UL 94V0 (self extinguishing)

Safety and Noise Immunity Compliance

CE Compliant with the LVD 73/23/EEC
UL / cUL Recognized per UL 508 and CSA C22.2 no. 14-M91 E46203
TUV EN60950
IEC 61000-4-2: Electrostatic Discharge – Level 3
IEC 61000-4-3: Radiated Electromagnetic Noise – Level 3
IEC 61000-4-4: Electrically Fast Transients – Level 3
IEC 61000-4-5: Electrical Surges – Level 3
IEC 61000-4-6: Conducted Electromagnetic Noise – Level 3
IEC 61000-4-11
CISPR 11 – Class A: Allowable Levels of Conducted and Radiated Noise for Industrial Environments

Part Numbers

Rating	Output	Input	IP00	IP20
10 Amp	24-280Vac	90-280Vac	84 134 901	84 137 901
		3-32Vdc	84 134 900	84 137 900
25 Amp	24-280Vac	90-280Vac	84 134 911	84 137 911
		3-32Vdc	84 134 910	84 137 910

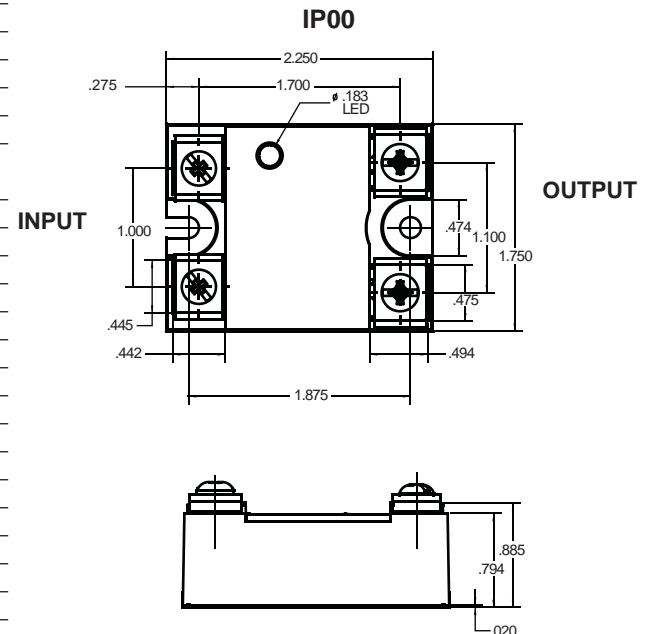
Quick connect terminals: 3/16" input and 1/4" output

Rating	Output	Input	IP00
10 Amp	24-280Vac	90-280Vac	84 134 905
		3-32Vdc	84 134 904
25 Amp	24-280Vac	90-280Vac	84 134 915
		3-32Vdc	84 134 914

Quick connect terminals: 1/4" input and 1/4" output

Rating	Output	Input	IP00
10 Amp	24-280Vac	90-280Vac	84 134 909
		3-32Vdc	84 134 907
25 Amp	24-280Vac	90-280Vac	84 134 919
		3-32Vdc	84 134 917

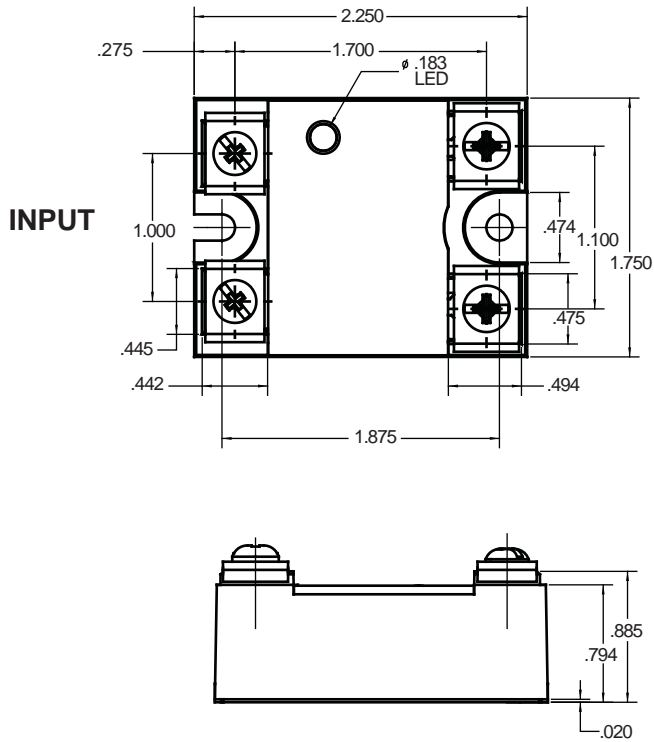
DIMENSIONS IN INCHES



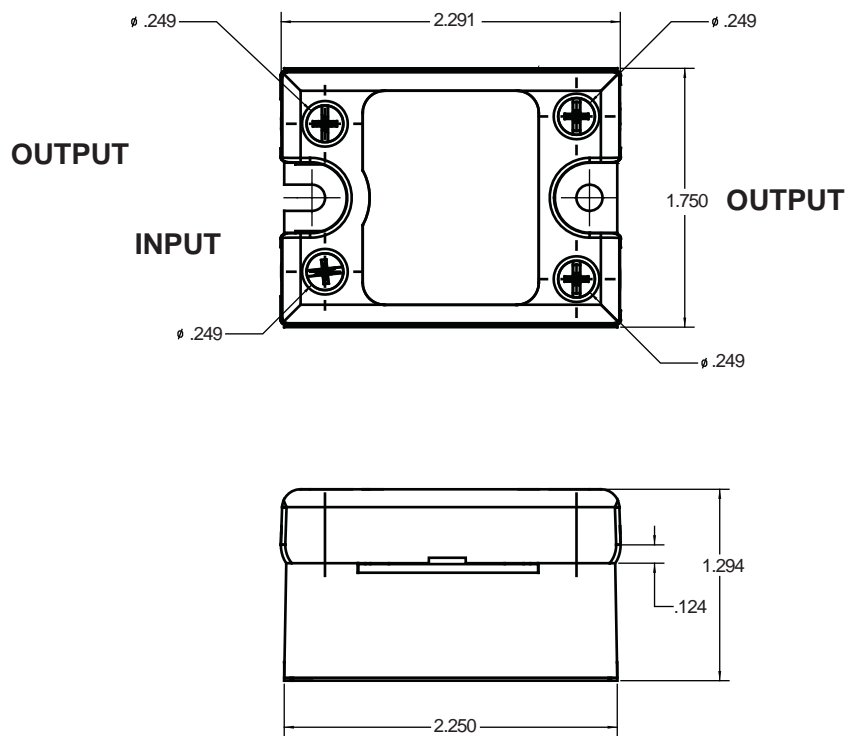
Products and specifications subject to change without notice.
Consult factory for application assistance.

DIMENSIONS IN INCHES

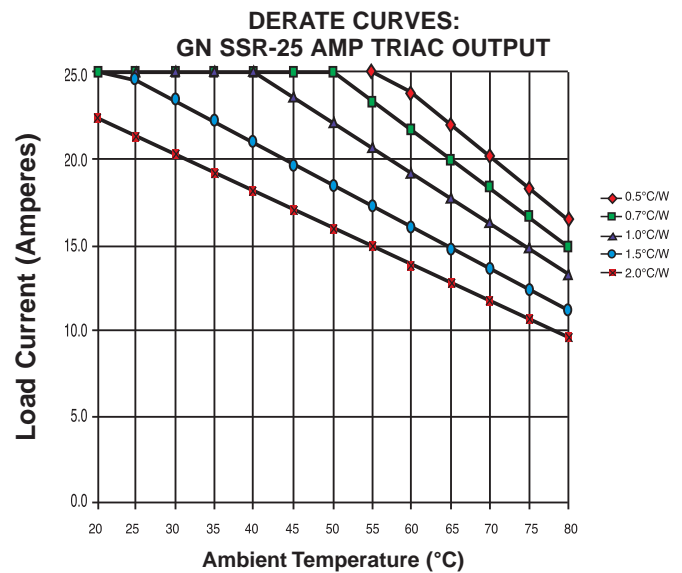
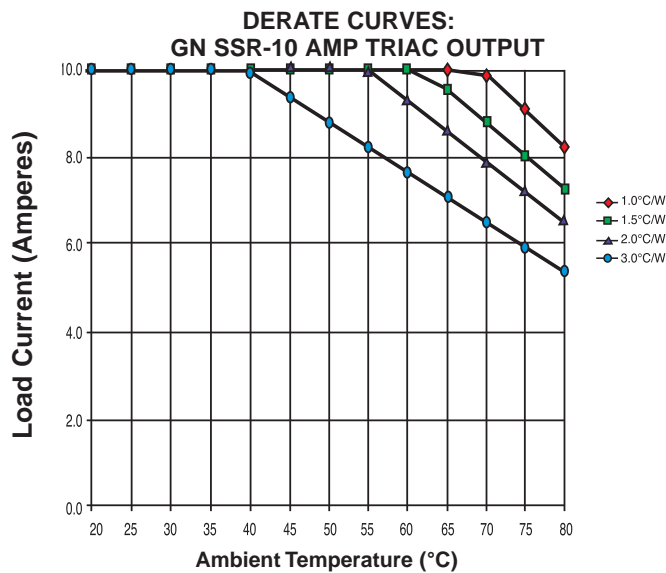
IP00



IP20



DERATING CURVES



Products and specifications subject to change without notice.

Order/Technical Support – Tel: (877) 502-5500 / FAX: (619) 710-8540 / www.crouzet-usa.com