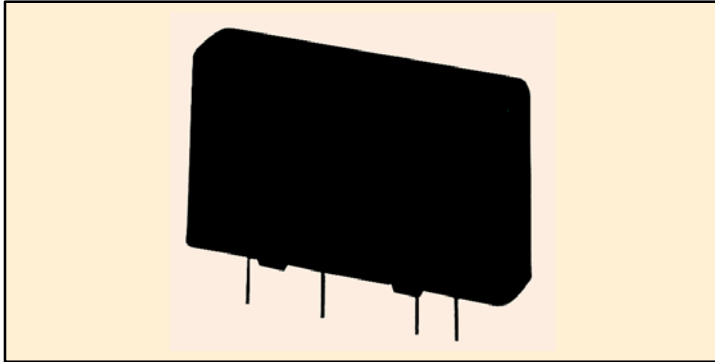


## Features

- AC & DC Types
- 4KV Optical Isolation
- Slimline Packaging
- Plugs into Standard I/O Module Mounting Board
- Industry Standard Color Code (AC=Black, DC=Red)



### INPUT SPECIFICATIONS

NTE Type No.	Nom. Input Vltg.	Min Turn-on Vltg.	Max Input Vltg.	Drop-Out Vltg.	Typ Input Curr.	Nom. Input Res.	Diag No.
RIM-OAC5M	5 VDC	3 VDC	8 VDC	1.0VDC	20mA	220Ω	D55A
RIM-OAC15M	15 VDC	9 VDC	18 VDC	1.0VDC	16mA	1000Ω	D55A
RIM-OAC24M	24 VDC	18 VDC	32 VDC	1.0VDC	14mA	2200Ω	D55A
RIM-OAC5AM	5 VDC	3 VDC	8 VDC	1.0VDC	20mA	220Ω	D55A
RIM-OAC15AM	15 VDC	9 VDC	18 VDC	1.0VDC	16mA	1000Ω	D55A
RIM-OAC24AM	24 VDC	18 VDC	32 VDC	1.0VDC	14mA	2200Ω	D55A
RIM-ODC5M	5 VDC	3 VDC	8 VDC	1.0VDC	20mA	220Ω	D55B
RIM-ODC15M	15 VDC	9 VDC	18 VDC	1.0VDC	16mA	1000Ω	D55B
RIM-ODC24M	24 VDC	18 VDC	32 VDC	1.0VDC	14mA	2200Ω	D55B

### OUTPUT SPECIFICATIONS

NTE Type No.	Nom. Line Vltg.	Line Voltage		On-State Current		Peak On-State Voltage	Max Surge Current	Diag No.
		Min	Max	Min	Max			
RIM-OAC5M	120 Vrms	12 Vrms	140 Vrms	50mA	3.0A	1.6V	80A Peak	D55A
RIM-OAC15M	120 Vrms	12 Vrms	140 Vrms	50mA	3.0A	1.6V	80A Peak	D55A
RIM-OAC24M	120 Vrms	12 Vrms	140 Vrms	50mA	3.0A	1.6V	80A Peak	D55A
RIM-OAC5AM	240 Vrms	24 Vrms	280 Vrms	50mA	3.0A	1.6V	80A Peak	D55A
RIM-OAC15AM	240 Vrms	24 Vrms	280 Vrms	50mA	3.0A	1.6V	80A Peak	D55A
RIM-OAC24AM	240 Vrms	24 Vrms	280 Vrms	50mA	3.0A	1.6V	80A Peak	D55A
RIM-ODC5M	5-48VDC	3 VDC	60 VDC	20mA	3.0A	1.5V	5A (1sec)	D55B
RIM-ODC15M	5-48VDC	3 VDC	60 VDC	20mA	3.0A	1.5V	5A (1sec)	D55B
RIM-ODC24M	5-48VDC	3 VDC	60 VDC	20mA	3.0A	1.5V	5A (1sec)	D55B

## Electrical Specifications

### Environmental

Operating: 0° to +80°C

Storage: -40° to +125°C

### Capacitance

Input to Output: 8pF Max

### Insulation Characteristics

Input to Output Isolation Voltage: 4000 VRMS

### ACCESSORIES

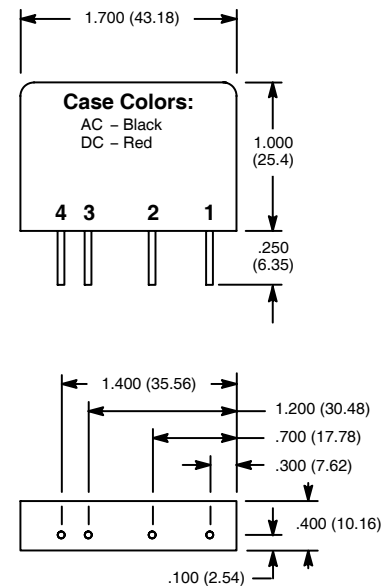
MOUNTING STYLES	DESCRIPTION	NTE TYPE NO.
DIN RAIL MOUNT	1-POSITION SOCKET	RLY9141
DIN RAIL MOUNT	2-POSITION SOCKET	RLY9142
DIN RAIL MOUNT	4-POSITION SOCKET	RLY9144

# RIM Series

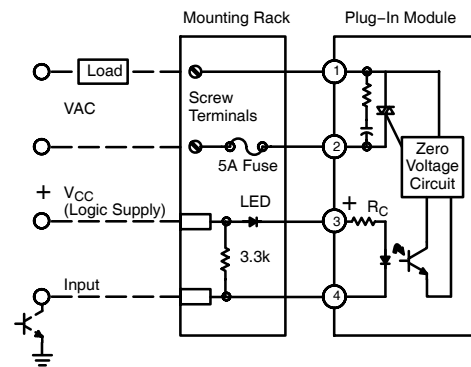


## Slimline Output Digital Modules

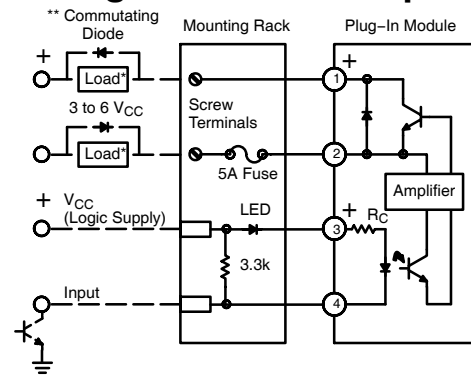
### D55



### Diagram A - AC Output



### Diagram B - DC Output



\* Sink or source current  
\*\* Must be used on inductive loads.