

## Features

- Replaces Slow Blow Glass Cartridge Fuse
- .250" (6.35mm) Quick Connect Terminals
- Snap-In Mounting
- Visual Trip Indicator
- Push Button to Reset Breaker



NTE Type No.	Current Rating Amps	Typical Resistance Ohms
R59-0.25A	0.25	14.0
R59-0.5A	0.50	3.55
R59-1A	1.0	0.89
R59-2A	2.0	0.17
R59-3A	3.0	0.069
R59-4A	4.0	0.043
R59-5A	5.0	0.030
R59-6A	6.0	0.026
R59-7A	7.0	0.017
R59-8A	8.0	0.016
R59-10A	10.0	0.011
R59-12A	12.0	0.009
R59-15A	15.0	0.007
R59-20A	20.0	0.007

## Trip Times

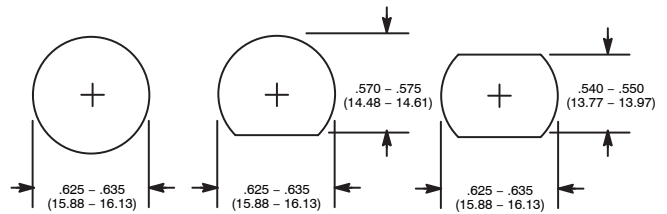
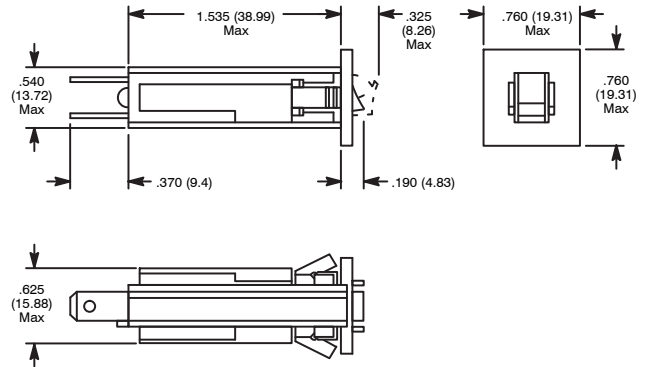
0.25 to 2 Amp Types		3.0 to 20 Amp Types	
Rated Load	Trip Times	Rated Load	Trip Times
100%	No Trip	100%	No Trip
175%	Trip in 1 Hour	135%	Trip in 1 Hour
200%	4.5 to 28.0 Sec.	200%	2.2 to 15.0 Sec.
400%	1.0 to 6.5 Sec.	400%	0.55 to 1.8 Sec.
600%	0.4 to 4.0 Sec.	600%	0.27 to 0.7 Sec.
		800%	0.17 to 0.45 Sec.
		1000%	0.12 to 0.3 Sec.

# R59 Series



## Thermal Circuit Breaker, Fuse Holder Type

### D41



Recommended Panel Thickness: .032 - .062 (.813 - 1.574)

## Electrical Specifications

### Electrical Characteristics (@ 25°C)

**Calibration:** Will continuously carry 100% of rating.

0.25 to 2 Amp types: May trip between 101% and 174%, but must trip at 175% of rating within one hour at +25°C

3.0 to 20 Amp types: May trip between 101% and 134%, but must trip at 135% of rating within one hour at +25°C

**Maximum Operating Voltages:** 32 VDC; 250 VAC, @ 50/60 Hz

**Dielectric Strength:** 1500VAC RMS

**Resettable Overload Capacity:**

0.25 to 2 Amp types: Six times rated current

3.0 to 20 Amp types: Ten times rated current

**Reset Time:**

0.25 to 2 Amp types: 180 seconds max.

3.0 to 20 Amp types: 10 to 60 seconds typ.

**Interrupt Capacity:** 1000 Amps @ 250 VAC, 50/60 Hz. and 32 VDC in accordance with UL standard 1077

### Mechanical Characteristics

**Termination:** .250 (6.35) Quick Connect Terminals

**NOTE: Soldering to terminals is not recommended.**

**Mounting:** Snaps into panel from front

(See Recommended Panel Cutouts)

**Weight:** 0.35 ozs. (10 g) approx.