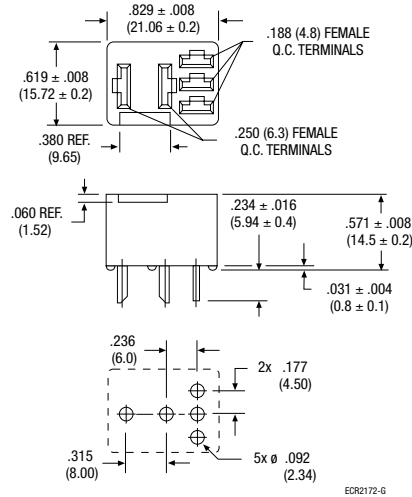


Connectors for Micro ISO Relays

**PCB Socket**

**VCFM-1000**

(Mounting Recommendation: To keep insertion force away from the PCB the soldering of the socket to the PCB should be done with already inserted relay)

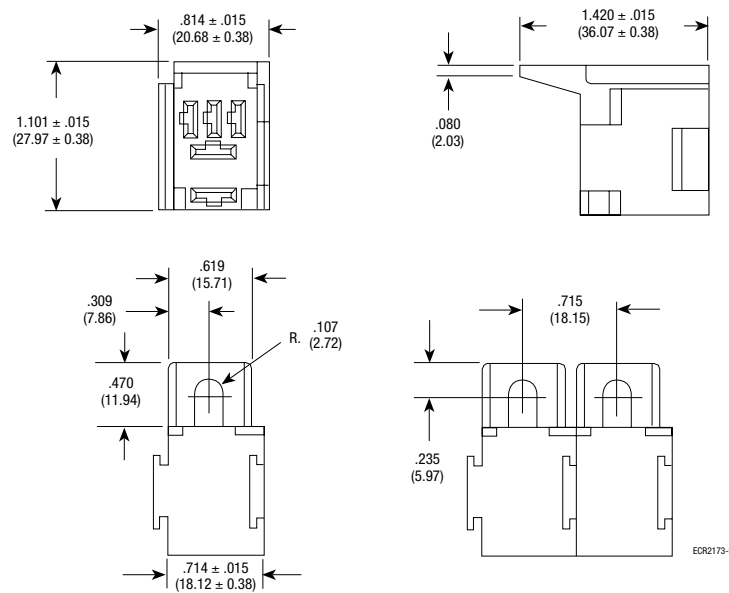


**Connector with Mounting Flap**

(To be mounted individually or can be interlocked)

**VCFM-1002**

(Crimp terminals to be ordered separately)



Ordering Information

Part Numbers for Connectors and Crimp Terminals								
Connector Description	Tyco Electronics Part Number	Part Number	Tyco Electronics Part Number	Wire mm <sup>2</sup>	Quantity Required		Use in Cavities	
		Crimp Terminals			Form A	Form C	Form A	Form C
VCFM-1000	1393310-2	-	-	-	-	-	-	-
VCFM-1002	3-1393310-8	AMP60249-1	60249-1	1.3 - 3.3	-	-	-	-
		AMP42281-1	42281-1	0.8 - 2.1	2	2	3 and 5	3 and 5
		26A1492A	2-1393310-5	0.5 - 1.6	2	3	1 and 2	1, 2 and 4
		26A1492B	2-1393310-6	1.3 - 2.1	2	3	1 and 2	1, 2 and 4