



NLC-IO-03I-04QRD-05A

Order No.: 2701328



<http://eshop.phoenixcontact.de/phoenix/treeViewClick.do?UID=2701328>

I/O expansion module for use with Nanoline 24 V DC base unit. Equipped with 3 digital input and 4, 5 A relay output channels. A maximum of three I/O expansion modules can be attached to a base unit.

| Commercial data | | Product notes |
|--------------------------|--|--|
| GTIN (EAN) |  | WEEE/RoHS-compliant since: 04/17/2008  |
| sales group | K251 | http://www.download.phoenixcontact.com Please note that the data given here has been taken from the online catalog. For comprehensive information and data, please refer to the user documentation. The General Terms and Conditions of Use apply to Internet downloads. |
| Pack | 1 pcs. | |
| Customs tariff | 85389091 | |
| Catalog page information | Page 13 (AX-2011) | |

| Technical data | |
|-------------------|------------------|
| Supply | |
| Connection method | Screw connection |
| Supply voltage | 24 V DC |
| Supply current | Typ. 300 mA |
| | max. 500 mA |

Digital inputs

| | |
|--------------------------|---------------------------|
| Input name | Digital inputs |
| Description of the input | PNP/NPN |
| Connection method | Screw connection |
| Number of inputs | 3 |
| Typical response time | 60 µs (on) 70 µs (off) |

Digital outputs

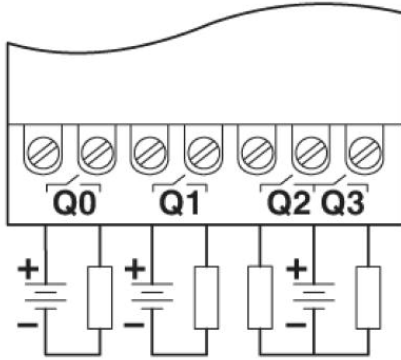
| | |
|--|------------------|
| Output name | Relay output |
| Output description | Relay output |
| Connection method | Screw connection |
| Number of outputs | 4 |
| Maximum output current per channel | 5 A |
| Maximum output current per module / terminal block | 20 A |
| Maximum output current per module | 20 A |

General data

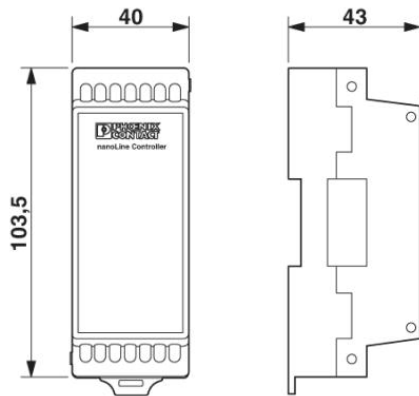
| | |
|---|------------------|
| Width | 40 mm |
| Height | 103.5 mm |
| Depth | 43 mm |
| Degree of protection | IP20 |
| Ambient temperature (operation) | -25 °C ... 55 °C |
| Ambient temperature (storage/transport) | -25 °C ... 85 °C |

Diagrams/Drawings

Connection diagram



Dimensioned drawing



Address

PHOENIX CONTACT Inc., USA
586 Fulling Mill Road
Middletown, PA 17057, USA
Phone (800) 888-7388
Fax (717) 944-1625
<http://www.phoenixcon.com>



© 2011 Phoenix Contact
Technical modifications reserved;