

755 Magnetic Latching Octal Relay/DPDT, 16 Amp Rating



High strength magnetic latch helps contacts hold during vibration.



Single and Dual (DC only) coil available.

16 Amp switching capabilities

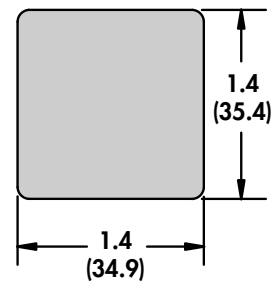
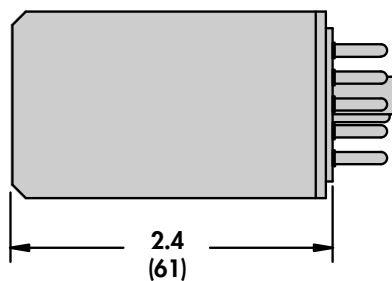
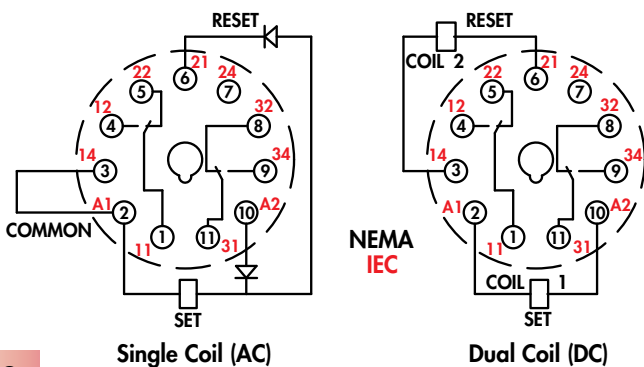
Standard 11 pin octal socket mounting.

General Specifications

(UL 508)

Contact Characteristics		Units	755XBX
Number and type of Contacts			DPDT
Contact materials			Silver Alloy
Thermal (Carrying) Current		A	16
Maximum Switching Voltage		V	300
Switching Current @ Voltage		~ Resistive	16A @ 277V 50/60Hz
		≡ Resistive	16A @ 28V
		HP	1/3 @ 120 VAC
		HP	1/2 @ 240 VAC
		Pilot Duty	B300
Minimum Switching Requirement		mA	100 @ 5 VDC (.5W)
Coil Characteristics			
Voltage Range		~ V	12...240, 50/60 Hz
		≡ V	12...125
Operating Range		~ % of Nominal	85% to 110%
		≡	80% to 110%
Average consumption		~ VA	2
		≡ W	1.64
Drop-out voltage threshold		~	15%
		≡	10%
Performance Characteristics			
Electrical Life (UL508)		Operations @ Rated Current (Resistive)	100,000
Mechanical Life		Unpowered	10,000,000
Operating time (response time)			30 ms
Dielectric strength		Between coil and contact	~ V(rms) 2500
		Between poles	~ V(rms) 1500
		Between contacts	~ V(rms) 2500
Environment			
Product certifications		Standard version	UL
Ambient air temperature around the device		Storage	°C -40...+85
		Operation	°C -40...+55
Vibration resistance		Operational	g-n 3, 10 - 55 Hz
Shock resistance			g-n 10
Degree of protection			IP 40
Weight		grams	170

OCTAL BASE LATCHING RELAY



SECTION 7



The 755 Magnetic Latching relay, with an 11 pin octal base, operates by using a pulsed input. A permanent magnet maintains the last position until a redirected second pulse moves the contacts back to the original state.

755 Relay with the 70-750EL11-1 Socket

Standard Part Numbers

BOLD-FACED PART NUMBERS ARE NORMALLY STOCKED

Nominal Voltage	Coil Resistance	Part Number
AC Operated (Single Coil)		
6 VAC 50/60 HZ	32 Ohms	755XBXC-6A
12 VAC 50/60 HZ	120 Ohms	755XBXC-12A
24 VAC 50/60 HZ	470 Ohms	755XBXC-24A
120 VAC 50/60 HZ	10,000 Ohms	755XBXC-120A
240 VAC 50/60 HZ	36,000 Ohms	755XBXC-240A
DC Operated (Dual Coil)		
6 VDC	22/22 Ohms	755XBXCD-6D
12 VDC	90/90 Ohms	755XBXCD-12D
24 VDC	350/350 Ohms	755XBXCD-24D
48 VDC	1,400/1,400 Ohms	755XBXCD-48D
110/125 VDC	9,000/9,000 Ohms	755XBXCD-125D

Part Number Builder

755	XBX	C	-	240A
Series	Contact Configuration	Coil Options		Coil Voltage
755	DPDT = XBX	Single Coil = C Double Coil = CD		VAC = 6 - 240A VDC = 6 - 125D

Other mating sockets see Section 2: 70-750E11-1, 70-750DL11-1, 70-465-1, 70-170-1

