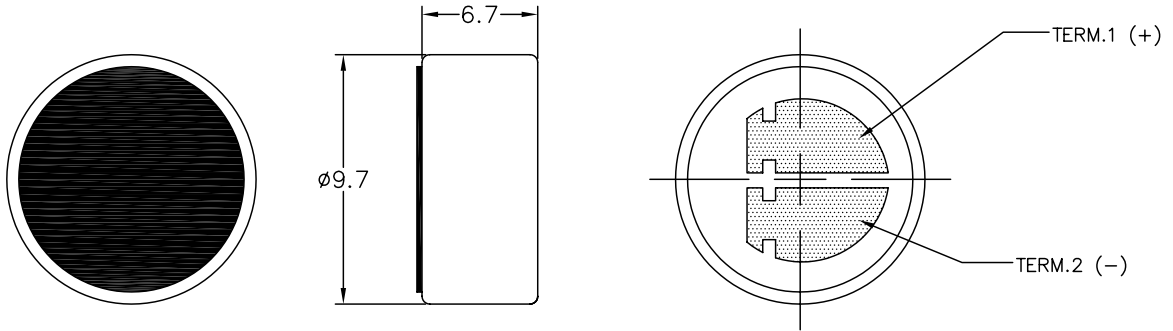


THIS DOCUMENT CONTAINS DATA PROPRIETARY TO PROJECTS UNLIMITED, INC. ANY USE OR REPRODUCTION, IN ANY FORM, WITHOUT PRIOR WRITTEN PERMISSION OF PROJECTS UNLIMITED, INC. IS PROHIBITED.
© 2003, Projects Unlimited Inc.

SPECIFICATIONS

| PARAMETERS | VALUES | UNITS |
|----------------------------|-------------|-------|
| DIRECTIVITY | OMNI | - |
| SENSITIVITY | -42±3 | dB |
| STANDARD OPERATING VOLTAGE | 1.5 | Vdc |
| MAX OPERATING VOLTAGE | 10 | Vdc |
| CURRENT CONSUMPTION MAX | 0.5 | mA |
| IMPEDANCE | 2.2 | kOhm |
| SIGNAL TO NOISE RATIO | 60 | dB |
| TERMINAL | SOLDER PADS | - |
| INTERNAL CAPACITOR | N/A | pF |

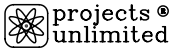
| REVISIONS | | | |
|-----------|----------------------------------|----------|----------|
| LTR | DESCRIPTION | DATE | APPROVED |
| - | RELEASED FROM ENGINEERING | 12/29/03 | |
| A | REVISED IMPEDANCE | 5/13/04 | R. W. |
| B | REVISED DIMENSION SIZE AND STYLE | 02/15/06 | B. R. |



NOTES:

1. ALL DIMENSIONS ARE IN MILLIMETERS.
2. SPECIFICATION SUBJECT TO CHANGE OR WITHDRAWAL WITHOUT NOTICE.

FILE NAME
AOM-6742L.DWG

| | | | |
|---|--|---|-----------------------|
| UNLESS OTHERWISE SPECIFIED: DIMENSIONS ARE IN MILLIMETERS, TOLERANCES ARE ±0.5 AND ANGLES ARE ±3°. | |  projects® unlimited Dayton, Ohio | |
| APPROVALS | | DATE | |
| DRAWN R. A. O. | | 12/03 | |
| APPROVED E. P. | | 12/03 | |
| DO NOT SCALE DRAWING | | SIZE A | DRAWING NO. AOM-6742L |
| | | SCALE: N.T.S. | SHEET 1 OF 1 |