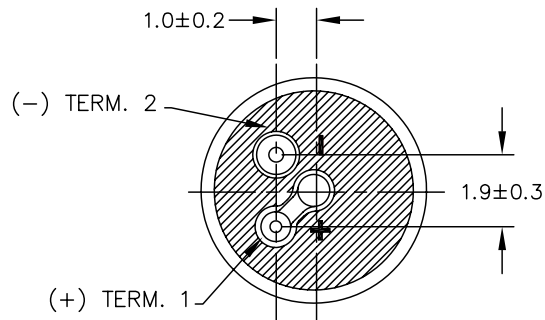
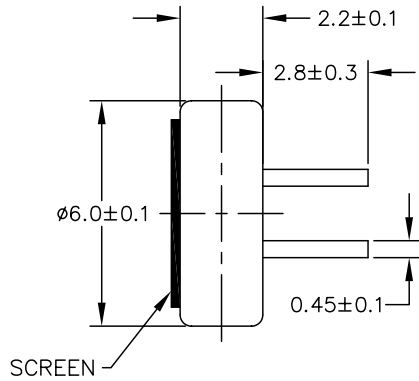


THIS DOCUMENT CONTAINS DATA PROPRIETARY TO PROJECTS UNLIMITED, INC. ANY USE OR REPRODUCTION, IN ANY FORM, WITHOUT PRIOR WRITTEN PERMISSION OF PROJECTS UNLIMITED, INC. IS PROHIBITED.
© 2003, Projects Unlimited Inc.

SPECIFICATIONS

| PARAMETERS | VALUES | UNITS |
|----------------------------|--------|-------|
| DIRECTIVITY | OMNI | - |
| SENSITIVITY | -46±3 | dB |
| STANDARD OPERATING VOLTAGE | 2.0 | Vdc |
| MAX OPERATING VOLTAGE | 10 | Vdc |
| CURRENT CONSUMPTION MAX | 0.5 | mA |
| IMPEDANCE | 2.2 | kOhm |
| SIGNAL TO NOISE RATIO | 58 | dB |
| TERMINAL | PIN | - |
| INTERNAL CAPACITOR | 33 | pF |

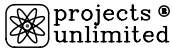
| REVISIONS | | | |
|-----------|----------------------------------|----------|----------|
| LTR | DESCRIPTION | DATE | APPROVED |
| - | RELEASED FROM ENGINEERING | 5/31/03 | |
| A | REDREW DRAWING & ADDED SCREEN | 12/12/02 | S. J. |
| B | REVISED TO NEW TEMPLATE | 12/22/03 | R. W. |
| C | REVISED INTERNAL CAPACITOR | 12/13/04 | R. W. |
| D | REVISED DIMENSION SIZE AND STYLE | 02/24/06 | B. R. |



NOTES:

1. ALL DIMENSIONS ARE IN MILLIMETERS.
2. SPECIFICATION SUBJECT TO CHANGE OR WITHDRAWAL WITHOUT NOTICE.

FILE NAME
POM-2246P.DWG

| UNLESS OTHERWISE SPECIFIED: DIMENSIONS ARE IN MILLIMETERS, TOLERANCES ARE ±0.5 AND ANGLES ARE ±3°. | |  Dayton, Ohio | | | | | | | |
|---|--------------------------|--|--------------|-------------------|------|-----------------------|------|-------------------------------|--|
| <table border="1"> <thead> <tr> <th>APPROVALS</th> <th>DATE</th> </tr> </thead> <tbody> <tr> <td>DRAWN <i>RABL</i></td> <td>5/02</td> </tr> <tr> <td>APPROVED <i>S. J.</i></td> <td>6/02</td> </tr> </tbody> </table> | | APPROVALS | DATE | DRAWN <i>RABL</i> | 5/02 | APPROVED <i>S. J.</i> | 6/02 | ELECTRET CONDENSER MICROPHONE | |
| APPROVALS | DATE | | | | | | | | |
| DRAWN <i>RABL</i> | 5/02 | | | | | | | | |
| APPROVED <i>S. J.</i> | 6/02 | | | | | | | | |
| SIZE A | DRAWING NO. POM-2246P | | | | | | | | |
| DO NOT SCALE DRAWING | | SCALE: N.T.S. | SHEET 1 OF 1 | | | | | | |