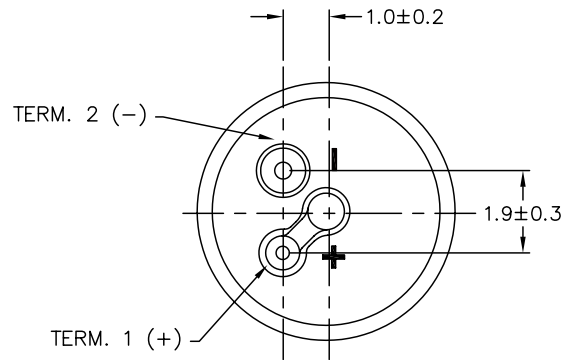
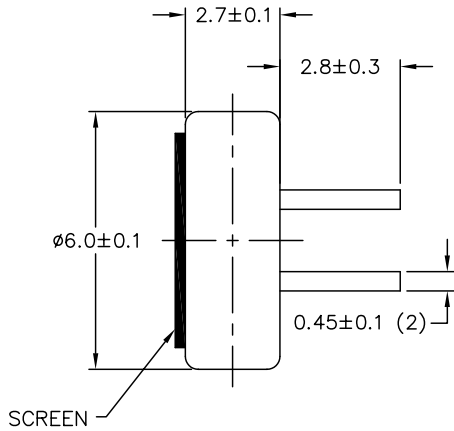


THIS DOCUMENT CONTAINS DATA PROPRIETARY TO PROJECTS UNLIMITED, INC. ANY USE OR REPRODUCTION, IN ANY FORM, WITHOUT PRIOR WRITTEN PERMISSION OF PROJECTS UNLIMITED, INC. IS PROHIBITED.  
© 2003, Projects Unlimited Inc.

SPECIFICATIONS

PARAMETERS	VALUES	UNITS
DIRECTIVITY	OMNI	-
SENSITIVITY (0 dB=1 V/Pa)	-44±3	dB
STANDARD OPERATING VOLTAGE	2	Vdc
MAX OPERATING VOLTAGE	10	Vdc
CURRENT CONSUMPTION MAX	0.5	mA
IMPEDANCE	2.2	kOhm
SIGNAL TO NOISE RATIO	56	dB
TERMINAL	PINS	-
INTERNAL CAPACITOR	33	pF

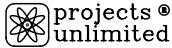
REVISIONS			
LTR	DESCRIPTION	DATE	APPROVED
-	RELEASED FROM ENGINEERING	5/31/02	
A	REDREW DRAWING & ADDED SCREEN	12/17/02	S. J.
B	REVISED TO NEW TEMPLATE	12/22/03	R. W.
C	REVISED PIN PLACEMENT	3/25/04	R. W.
D	REVISED INTERNAL CAPACITOR	12/15/04	R. W.
E	REVISED DIMENSION SIZE AND STYLE	02/27/06	B. R.



NOTES:

1. ALL DIMENSIONS ARE IN MILLIMETERS.
2. SPECIFICATION SUBJECT TO CHANGE OR WITHDRAWAL WITHOUT NOTICE.

FILE NAME  
POM-2744P.DWG

UNLESS OTHERWISE SPECIFIED: DIMENSIONS ARE IN MILLIMETERS, TOLERANCES ARE ±0.5 AND ANGLES ARE ±3°.		 <b>projects® unlimited</b> Dayton, Ohio							
<table border="1"> <thead> <tr> <th>APPROVALS</th> <th>DATE</th> </tr> </thead> <tbody> <tr> <td>DRAWN <i>RABL</i></td> <td>5/02</td> </tr> <tr> <td>APPROVED <i>S. J.</i></td> <td>6/02</td> </tr> </tbody> </table>		APPROVALS	DATE	DRAWN <i>RABL</i>	5/02	APPROVED <i>S. J.</i>	6/02	ELECTRET CONDENSER MICROPHONE	
APPROVALS	DATE								
DRAWN <i>RABL</i>	5/02								
APPROVED <i>S. J.</i>	6/02								
SIZE A	DRAWING NO. POM-2744P								
DO NOT SCALE DRAWING		SCALE: N.T.S.	SHEET 1 OF 1						