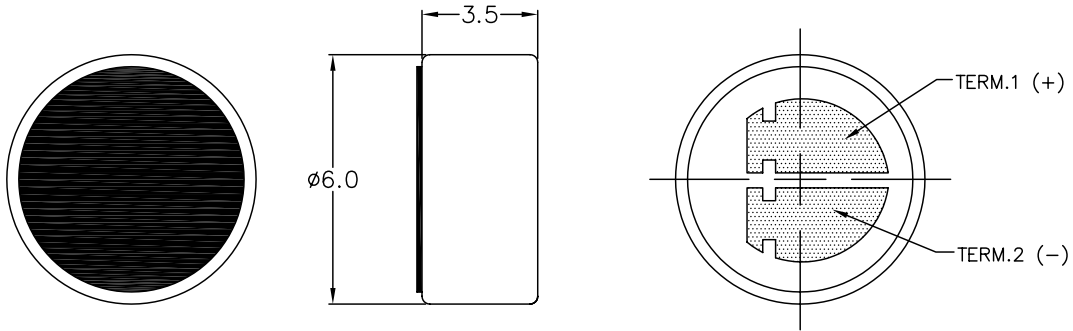


THIS DOCUMENT CONTAINS DATA PROPRIETARY TO PROJECTS UNLIMITED, INC. ANY USE OR REPRODUCTION, IN ANY FORM, WITHOUT PRIOR WRITTEN PERMISSION OF PROJECTS UNLIMITED, INC. IS PROHIBITED.
© 2003, Projects Unlimited Inc.

SPECIFICATIONS

| PARAMETERS | VALUES | UNITS |
|----------------------------|-------------|-------|
| DIRECTIVITY | OMNI | - |
| SENSITIVITY | -42±3 | dB |
| STANDARD OPERATING VOLTAGE | 2.0 | Vdc |
| MAX OPERATING VOLTAGE | 10 | Vdc |
| CURRENT CONSUMPTION MAX | 0.5 | mA |
| IMPEDANCE | 2.2 | kOhm |
| SIGNAL TO NOISE RATIO | 60 | dB |
| TERMINAL | SOLDER PADS | - |
| INTERNAL CAPACITOR | N/A | pF |


| REVISIONS | | | |
|-----------|----------------------------------|----------|----------|
| LTR | DESCRIPTION | DATE | APPROVED |
| - | RELEASED FROM ENGINEERING | 1/19/04 | |
| A | REVISED DIMENSION SIZE AND STYLE | 02/28/06 | B.R. |



NOTES:

1. ALL DIMENSIONS ARE IN MILLIMETERS.
2. SPECIFICATION SUBJECT TO CHANGE OR WITHDRAWAL WITHOUT NOTICE.

FILE NAME
POM-3542L.DWG

| UNLESS OTHERWISE SPECIFIED: DIMENSIONS ARE IN MILLIMETERS, TOLERANCES ARE ±0.5 AND ANGLES ARE ±3°. | |  projects® unlimited Dayton, Ohio | | | | | | | |
|--|--------------------------|---|--------------|--------------|------|---------------|------|------------|--|
| <table border="1"> <thead> <tr> <th>APPROVALS</th> <th>DATE</th> </tr> </thead> <tbody> <tr> <td>DRAWN R.A.O.</td> <td>1/04</td> </tr> <tr> <td>APPROVED R.W.</td> <td>1/04</td> </tr> </tbody> </table> | | APPROVALS | DATE | DRAWN R.A.O. | 1/04 | APPROVED R.W. | 1/04 | MICROPHONE | |
| APPROVALS | DATE | | | | | | | | |
| DRAWN R.A.O. | 1/04 | | | | | | | | |
| APPROVED R.W. | 1/04 | | | | | | | | |
| SIZE A | DRAWING NO. POM-3542L | | | | | | | | |
| DO NOT SCALE DRAWING | | SCALE: N.T.S. | SHEET 1 OF 1 | | | | | | |