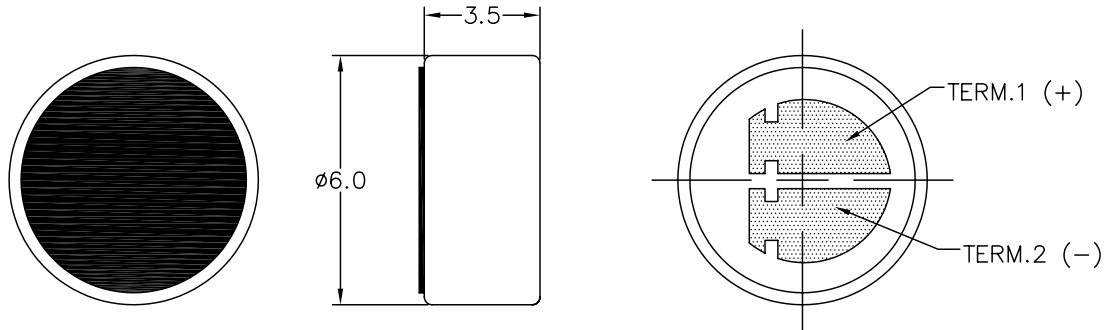


THIS DOCUMENT CONTAINS DATA PROPRIETARY TO PROJECTS UNLIMITED, INC. ANY USE OR REPRODUCTION, IN ANY FORM, WITHOUT PRIOR WRITTEN PERMISSION OF PROJECTS UNLIMITED, INC. IS PROHIBITED.  
© 2003, Projects Unlimited Inc.

SPECIFICATIONS

PARAMETERS	VALUES	UNITS
DIRECTIVITY	OMNI	-
SENSITIVITY	-46±3	dB
STANDARD OPERATING VOLTAGE	2.0	Vdc
MAX OPERATING VOLTAGE	10	Vdc
CURRENT CONSUMPTION MAX	0.5	mA
IMPEDANCE	2.2	kOhm
SIGNAL TO NOISE RATIO	60	dB
TERMINAL	SOLDER PADS	-
INTERNAL CAPACITOR	N/A	pF

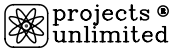
REVISIONS			
LTR	DESCRIPTION	DATE	APPROVED
-	RELEASED FROM ENGINEERING	1/19/04	
A	REVISED DIMENSION SIZE AND STYLE	02/28/06	B.R.



NOTES:

1. ALL DIMENSIONS ARE IN MILLIMETERS.
2. SPECIFICATION SUBJECT TO CHANGE OR WITHDRAWAL WITHOUT NOTICE.

FILE NAME  
POM-3546L.DWG

UNLESS OTHERWISE SPECIFIED: DIMENSIONS ARE IN MILLIMETERS, TOLERANCES ARE ±0.5 AND ANGLES ARE ±3°.		 projects® unlimited Dayton, Ohio							
<table border="1"> <thead> <tr> <th>APPROVALS</th> <th>DATE</th> </tr> </thead> <tbody> <tr> <td>DRAWN R.A.O.</td> <td>1/04</td> </tr> <tr> <td>APPROVED R.W.</td> <td>1/04</td> </tr> </tbody> </table>		APPROVALS	DATE	DRAWN R.A.O.	1/04	APPROVED R.W.	1/04	MICROPHONE	
APPROVALS	DATE								
DRAWN R.A.O.	1/04								
APPROVED R.W.	1/04								
<table border="1"> <thead> <tr> <th>APPROVALS</th> <th>DATE</th> </tr> </thead> <tbody> <tr> <td>DRAWN R.A.O.</td> <td>1/04</td> </tr> <tr> <td>APPROVED R.W.</td> <td>1/04</td> </tr> </tbody> </table>		APPROVALS	DATE	DRAWN R.A.O.	1/04	APPROVED R.W.	1/04	SIZE A	DRAWING NO. POM-3546L
APPROVALS	DATE								
DRAWN R.A.O.	1/04								
APPROVED R.W.	1/04								
DO NOT SCALE DRAWING		SCALE: N.T.S.	SHEET 1 OF 1						