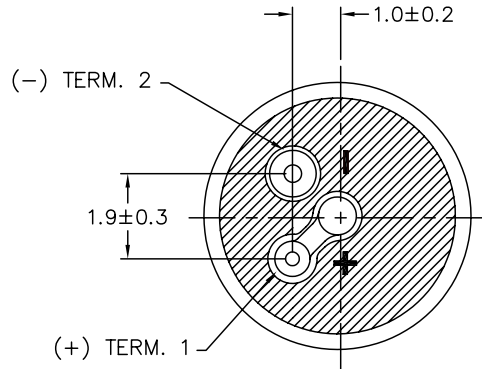
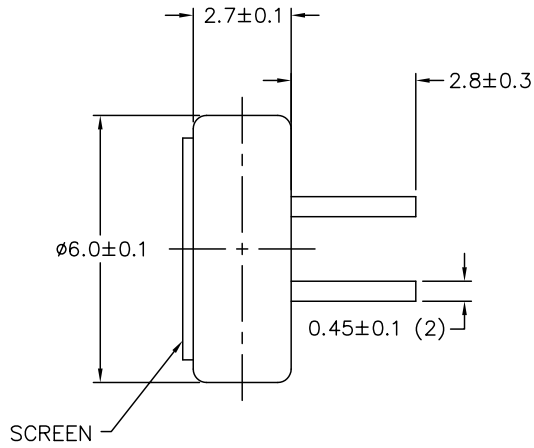


THIS DOCUMENT CONTAINS DATA PROPRIETARY TO PROJECTS UNLIMITED, INC. ANY USE OR REPRODUCTION, IN ANY FORM, WITHOUT PRIOR WRITTEN PERMISSION OF PROJECTS UNLIMITED, INC. IS PROHIBITED.  
© 2003, Projects Unlimited Inc.

SPECIFICATIONS

PARAMETERS	VALUES	UNITS
DIRECTIVITY	OMNI	-
SENSITIVITY (0 dB=1 V/Pa)	-42±3	dB
STANDARD OPERATING VOLTAGE	2.0	Vdc
MAX OPERATING VOLTAGE	10	Vdc
CURRENT CONSUMPTION MAX	0.5	mA
IMPEDANCE	2.2	kOhm
SIGNAL TO NOISE RATIO	56	dB
TERMINAL	PIN	-
INTERNAL CAPACITOR	33	pF

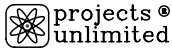
REVISIONS			
LTR	DESCRIPTION	DATE	APPROVED
-	RELEASED FROM ENGINEERING	5/31/02	
A	REVISED TOLERANCE	12/12/02	S.J.
B	REVISED TO NEW TEMPLATE	12/23/03	R.W.
C	REVISED INTERNAL CAPACITOR	12/13/04	R.W.
D	REVISED DIMENSION SIZE AND STYLE	02/27/06	B.R.



NOTES:

1. ALL DIMENSIONS ARE IN MILLIMETERS.
2. SPECIFICATION SUBJECT TO CHANGE OR WITHDRAWAL WITHOUT NOTICE.

FILE NAME  
POM-2742P.DWG

UNLESS OTHERWISE SPECIFIED: DIMENSIONS ARE IN MILLIMETERS, TOLERANCES ARE ±0.5 AND ANGLES ARE ±3°.		 Dayton, Ohio	
APPROVALS	DATE	ELECTRET CONDENSER MICROPHONE	
DRAWN <i>RABL</i>	5/02	SIZE A	DRAWING NO. POM-2742P
APPROVED <i>S.J.</i>	6/02	SCALE: N.T.S.	
DO NOT SCALE DRAWING		SHEET 1 OF 1	