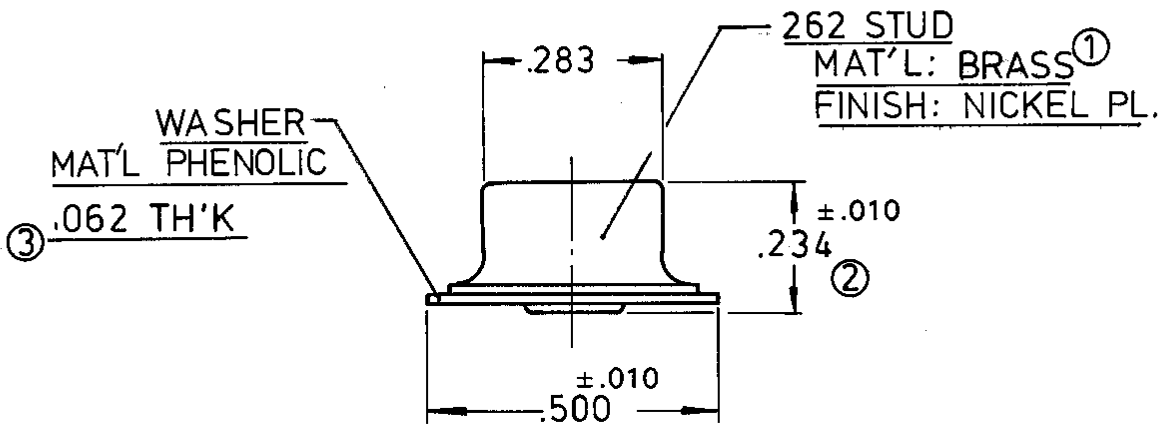
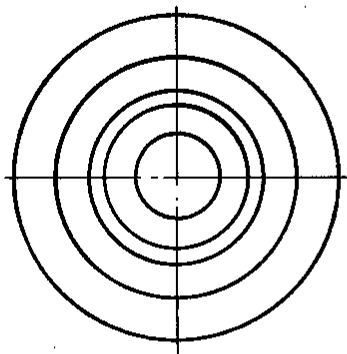


NO. 273
CODE
C/M



KEYSTONE ELECTRONICS CORP. ASTORIA, N.Y. 11105-2017		
PART NAME SNAP-ON		
MATERIAL AS NOTED		
FINISH AS NOTED	DRAWN BY L.N.	DATE 2.8.82
	APPROVED AA.	SCALE —
TOLERANCES FRACTIONAL \pm DECIMAL $\pm .005$ ANGULAR \pm UNLESS OTHERWISE NOTED		DWG. NO. 273

8.4.93	③ ADDED DIM. ① WAS STEEL ② WAS .200	A
DATE	REVISION	ISSUE