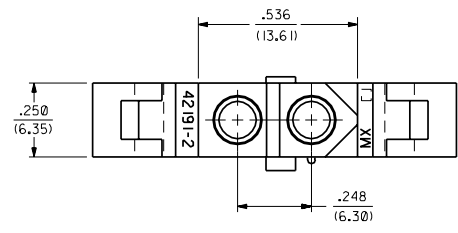
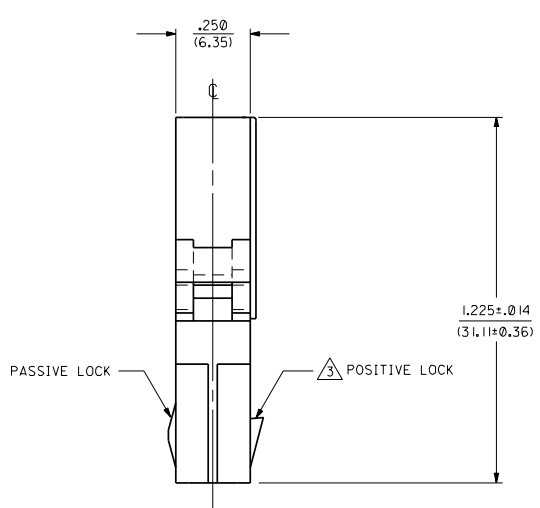
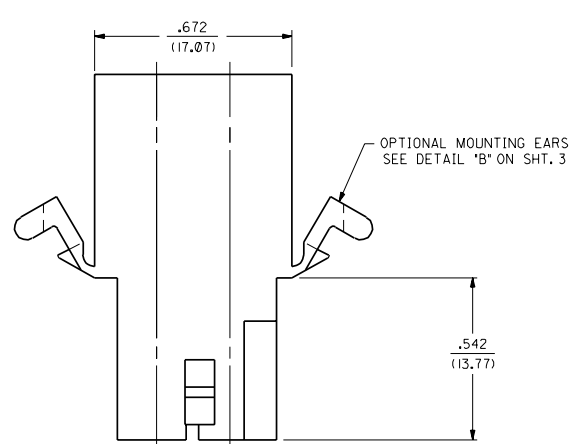
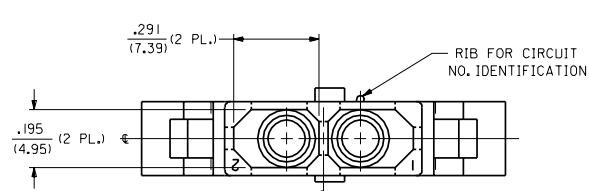


13 12 11 10 9 8 7 6 4 3 2 1



RECEPTACLE HOUSING

D		SEE SHT. 1	E		
C		SEE SHT. 1	F		
A		SEE SHT. 1	G		
I		SEE SHT. 1	H		
LTR.	REVISIONS	LTR.	REVISIONS	LTR.	REVISIONS

DIMS. SHOWN		INCH	MM	REVISIONS	
UNLESS OTHERWISE SPECIFIED		TOLERANCES ANGULAR	°	DATE	
2 PLACE	± .010	---	---	12 / 18 / 87	
3 PLACE	± .014	± 0.25	---	SHEET NO. 2	
4 PLACE	---	± 0.36	---	DATE	
DRAFT WHERE APPLICABLE MUST REMAIN WITHIN DIMENSIONS					
DRG. BY	C.E.P.	CHK'D. BY	R.W.	PART NO.	
APP'D.	R.A.S.	SCALE	4 : 1	SD-42191-2	
FILE NAME			MOLEX INCORPORATED		
5421912X2			68052		
1001			U.S.A.		
THIS DRAWING CONTAINS INFORMATION THAT IS PROPRIETARY TO MOLEX INC. AND SHOULD NOT BE USED WITHOUT WRITTEN PERMISSION.			REV. SIZE		
CP			C		

13 12 11 10 9 8 7 6 5 4 3 2 1

PLUG		
PART NO.	ENG. NO.	OBSOLETE
03-09-2160	42191-2P	YES
03-09-2161	42191-2P1	
03-09-4161	42191-2P1RD	
03-09-4162	42191-2P1BU	
03-09-4163	42191-2P1GN	

RECEPTACLE		
PART NO.	ENG. NO.	OBSOLETE
03-09-1160	42191-2R	YES
03-09-1161	42191-2R1	
03-09-1162	42191-2R2	
03-09-1163	42191-2R3	
03-09-3161	42191-2R1RD	
03-09-3162	42191-2R1BU	
03-09-3163	42191-2R1GN	

LEGEND: PLUG

42191-2P\*\*\*-

CIRCUIT SIZE

P = PLUG

BLANK = WITH PREBENT EARS  
I = WITHOUT EARS

BLANK = NATURAL COLOR

AM=AMBER BK=BLACK BU=BLUE  
BN=BROWN GY=GRAY GN=GREEN  
OR=ORANGE RD=RED YW=YELLOW

BLANK = MATERIAL CODE A

LEGEND: RECEPTACLE

42191-2R\*\*\*-

CIRCUIT SIZE

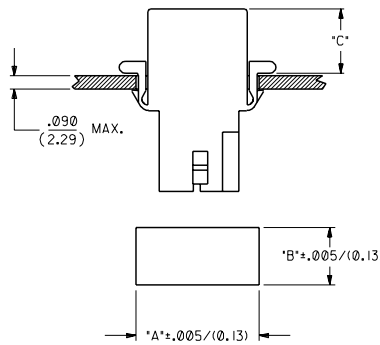
R = RECEPTACLE

BLANK = WITH PREBENT EARS, POSITIVE LOCK  
1 = WITHOUT EARS, POSITIVE LOCK  
2 = WITH PREBENT EARS, PASSIVE LOCK  
3 = WITHOUT EARS, PASSIVE LOCK

BLANK = NATURAL COLOR

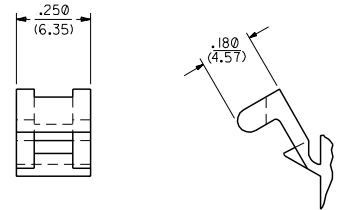
AM=AMBER BK=BLACK BU=BLUE  
BN=BROWN GY=GRAY GN=GREEN  
OR=ORANGE RD=RED YW=YELLOW

BLANK = MATERIAL CODE A



RECOMMENDED PANEL MOUNTING HOLE

HOUSING	DIM. "A"	DIM. "B"	DIM. "C"
PLUG	.831/(21.11)	.385/(9.78)	.44/(11.2)
RECEPTACLE	.831/(21.11)	.335/(8.51)	.46/(11.7)



DETAIL "A"  
PREBENT MOUNTING EAR  
SCALE 4:1

NOTES:

- MATERIAL CODES:  
A = NYLON TYPE 6/6, 94V-2
- PART ACCEPTS DOUBLE WIRE CRIMPS OF 18 AWG MAXIMUM. EACH CIRCUIT WILL ALLOW ONE OF THE WIRES TO HAVE AN INSULATION THICKNESS OF .062/(1.57), THE OTHER HAVING AN INSULATION THICKNESS OF .031/(0.79).
- LOCK RAMP STYLE IS OPTIONAL ON THIS SIDE OF PART. CHOICE OF EITHER A POSITIVE LOCK RAMP OR A PASSIVE LOCK RAMP IS AVAILABLE.

REV.	DESCRIPTION	DATE
E	SEE SHEET 1	
D2	SEE SHEET 1	
D1	SEE SHEET 1	
C	SEE SHEET 1	
B	SEE SHT. 1	
A	SEE SHT. 1	
I	SEE SHT. 1	
LTR.	REVISIONS	LTR.

DIMENSIONS SHOWN METRIC INCH  
UNLESS OTHERWISE SPECIFIED  
TOLERANCES ANGULAR 1° 30' 10"

PLACES	TOLERANCE
3 PLACES	± .010
2 PLACES	± .014 ± 0.25
1 PLACE	± .036

DRAFT WHERE APPLICABLE MUST REMAIN WITHIN DIMENSIONS

DRG. BY: GEP  
APP'D: RAS

SCALE: --:--

REVISIONS ONLY ON CAD SYSTEM

TITLE: .093/(2.36) HOUSINGS; PLUG AND RECEPTACLE; 2 CIRCUIT

MOLEX INCORPORATED  
135EJLL  
68532

SHEET NO. 3  
DATE 12/18/87

SEE CHART SD-42191-2\*

THIS DRAWING CONTAINS INFORMATION THAT IS PROPRIETARY TO MOLEX INC. AND SHOULD NOT BE USED WITHOUT WRITTEN PERMISSION FROM MOLEX INC.