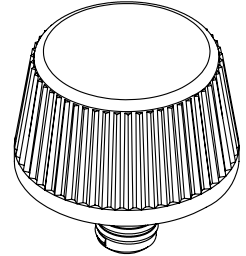
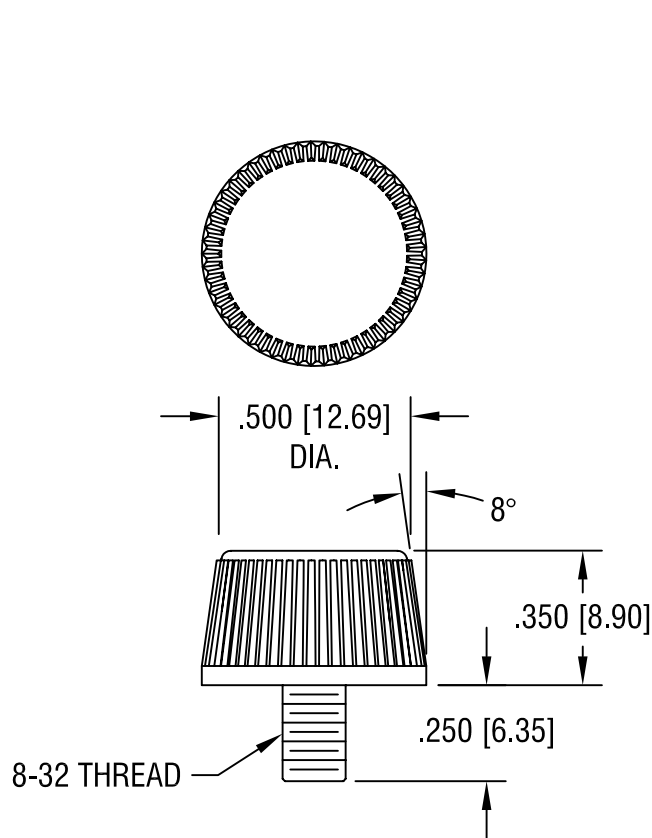


THIS DOCUMENT IS THE PROPERTY OF
KEYSTONE ELECTRONICS CORP. AND
SHALL NOT BE REPRODUCED, DISTRIBUTED
OR USED AS A BASIS FOR MANUFACTURE
WITHOUT PRIOR WRITTEN PERMISSION
FROM KEYSTONE ELECTRONICS CORP.



NOTE:

1. MATERIAL: KNOB- PHENOLIC
SHAFT: STEEL
2. FINISH: KNOB- BLACK
SHAFT- ZINC PLATE WITH
TRIVALENT CLEAR CHROMATE

KEYSTONE ELECTRONICS CORP.

www.keyelco.com • ASTORIA, N.Y. 11105-2017 • Tel (718) 956-8900

PART NAME		THUMB SCREW	
MATERIAL		AS NOTED	
FINISH		AS NOTED	
DRN BY	BOONE	DATE	6.9.06
APP'D		SCALE	2X
TOLERANCES	INCH [MM]	CODE	DWG NO.
DECIMAL	± .020 [± 0.50]	C/M	1711
ANGULAR	± 2°		
UNLESS OTHERWISE SPECIFIED			

7.22.08	CHANGE AS PER ECN 08-130	B
8.1.07	CHANGE AS PER ECN 07-044	A
DATE	DESCRIPTION	REV.