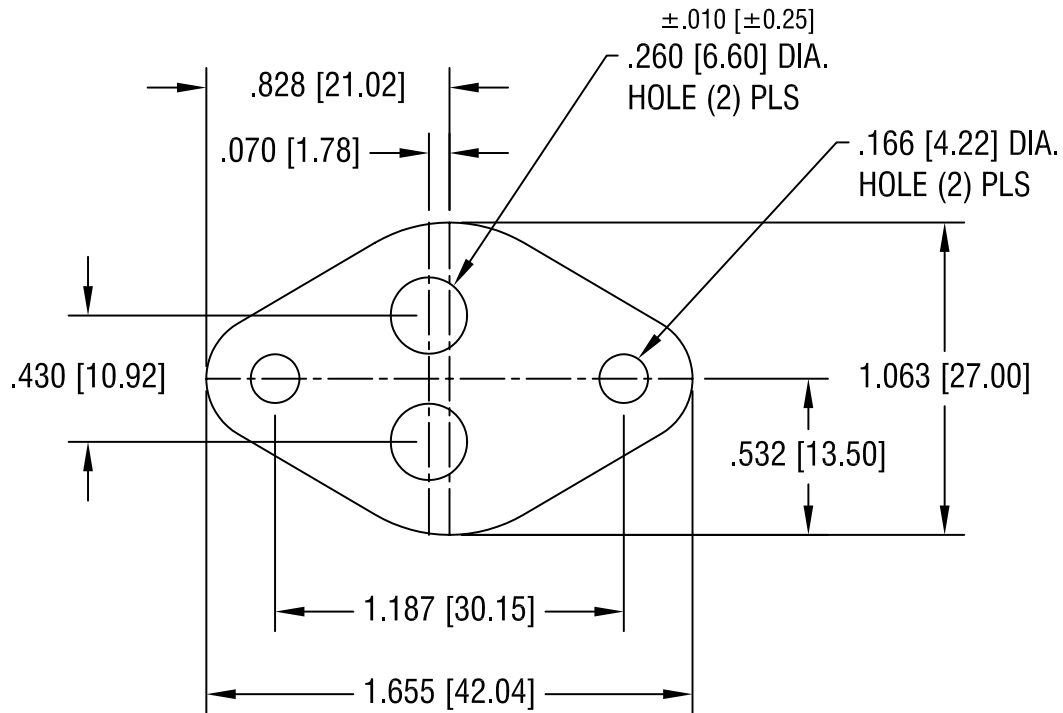


THIS DOCUMENT IS THE PROPERTY OF  
KEYSTONE ELECTRONICS CORP. AND  
SHALL NOT BE REPRODUCED, DISTRIBUTED  
OR USED AS A BASIS FOR MANUFACTURE  
WITHOUT PRIOR WRITTEN PERMISSION  
FROM KEYSTONE ELECTRONICS CORP.



<b>KEYSTONE ELECTRONICS CORP.</b>			
ASTORIA, N.Y. 11105-2017			
PART NAME		INSULATOR	
MATERIAL		.003 [0.70] TH'K MICA	
FINISH	-	DRN BY	BOONE
		DATE	11.8.82
		APP'D	SCALE
			1.5X
TOLERANCES	INCH [MM]	CODE	DWG NO.
DECIMAL	± .005 [± 0.15]	C / M	<b>4644</b>
ANGULAR	± 1°		
UNLESS OTHERWISE SPECIFIED			

4.17.01	CHANGE AS PER ECN 01-025	A
DATE	DESCRIPTION	REV.