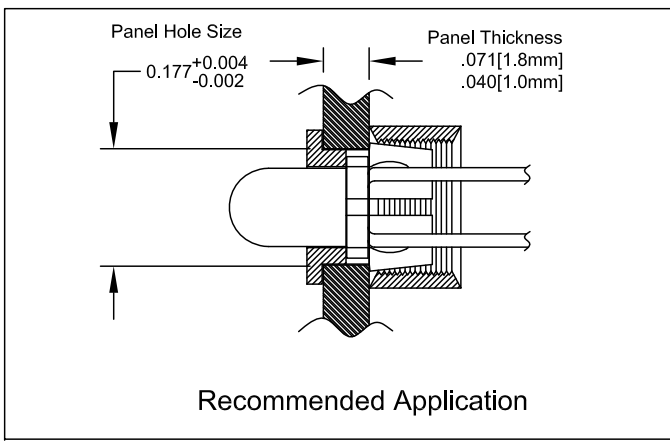
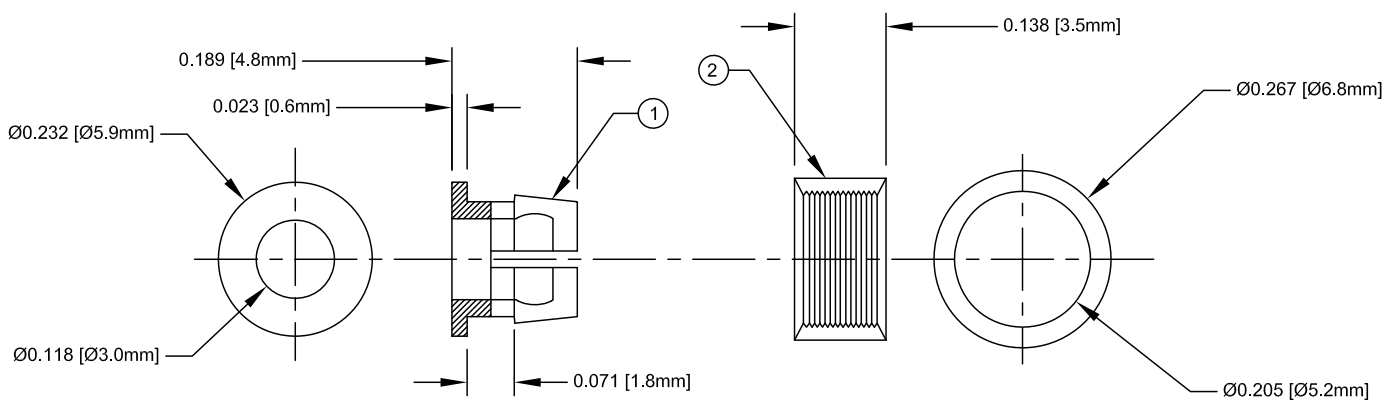


| ITEM | Q'TY | PART NUMBER | PART DESCRIPTION |
|------|------|-------------|--------------------|
| 1 | 1 | C-101 | T-1 (3mm) LED Clip |
| 2 | 1 | R-101 | T-1 (3mm) LED Ring |

| REV. | DESCRIPTION | DATE | APPROVED |
|------|--------------------------|----------|----------|
| A | Engineering Release. | 01/23/07 | M. C. |
| B | Part Description Update. | 06/03/09 | T. Y. |



- 2. MATERIAL: NYLON 6/6, 94V-2, BLACK. BIVAR MATERIAL CODE 21-NL-BK. TICONA NYLON 1310, NYLON 6/6, BLACK.
- 1. GENERAL SPECIFICATIONS: BIVAR MOLDED COMPONENT SPECIFICATION BV00-101.

| | | | |
|--|--------------------------|---|------------------------------|
| STANDARD TOLERANCE (UNLESS OTHERWISE SPECIFIED) | | BIVAR [®] 4 THOMAS, IRVINE, CA, 92618 TEL: (949) 951-8808 FAX: (949) 951-3974 | |
| DECIMALS | ANGULAR | | |
| .X ± .1 | X° ± 1° | TITLE: T-1 (3mm) LED Clip and Ring Set | |
| .XX ± .01 | | | |
| .XXX ± .005 | | PART NO: CR-101 | REVISION: B |
| DESIGNED: Sonny Dam | DATE: 01/23/07 | CAGE CODE : 32559 | SHEET # 1 OF 1 |
| CHECKED: T. Yin | DATE: 01/23/07 | CAD GENERATED DOCUMENT, DO NOT MEASURE DRAWING. | |