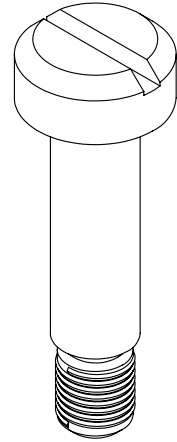
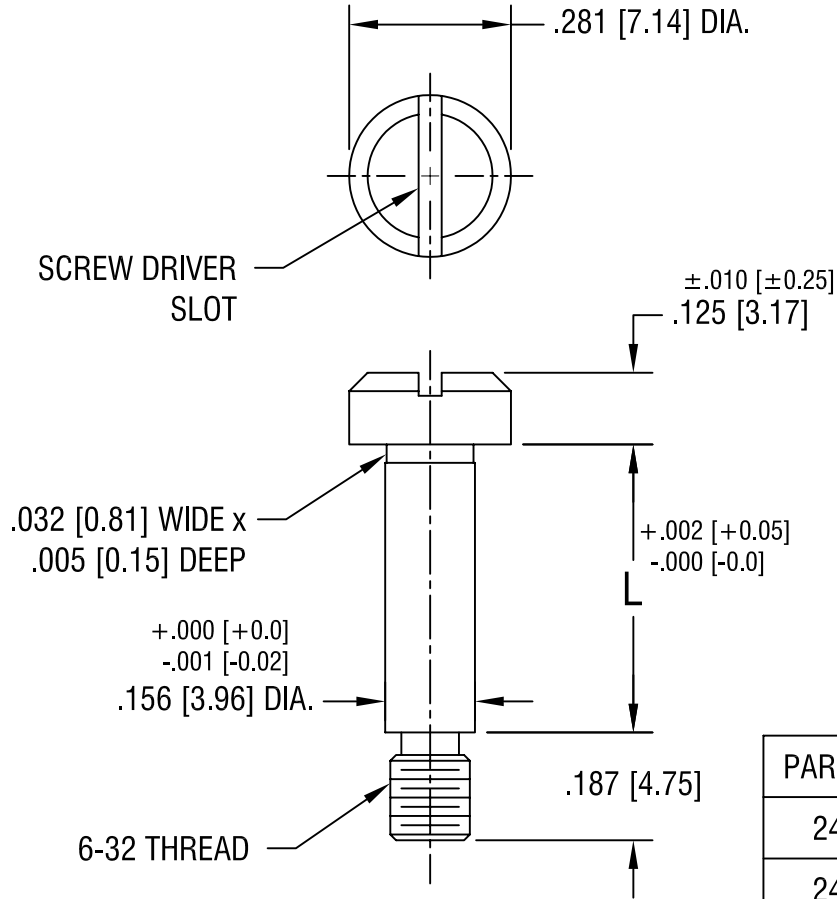


THIS DOCUMENT IS THE PROPERTY OF
KEYSTONE ELECTRONICS CORP. AND
SHALL NOT BE REPRODUCED, DISTRIBUTED
OR USED AS A BASIS FOR MANUFACTURE
WITHOUT PRIOR WRITTEN PERMISSION
FROM KEYSTONE ELECTRONICS CORP.



PART NO.	'L' DIM.
2425	.125 [3.17]
2426	.250 [6.35]
2427	.375 [9.52]
2428	.500 [12.70]
2429	.625 [15.87]
2430	.750 [19.05]

KEYSTONE ELECTRONICS CORP.
ASTORIA, N.Y. 11105-2017

PART NAME
SHOULDER SCREW - SLOTTED

MATERIAL
STAINLESS STEEL

FINISH -	DRN BY BOONE	DATE 8.16.95
	APP'D	SCALE 3X

TOLERANCES DECIMAL ANGULAR UNLESS OTHERWISE SPECIFIED	INCH [MM] ± .005 [± 0.15] ± 1°	CODE C/M	DWG NO. 2425-2430
--	--------------------------------------	-------------	-----------------------------

DATE	DESCRIPTION	REV.
7.15.08	CHANGE AS PER ECN 08-122	B
11.14.07	CHANGE AS PER ECN 07-081	A