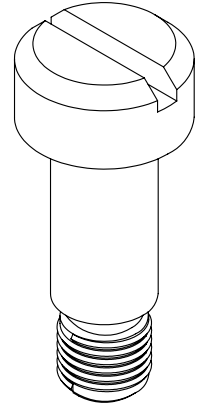
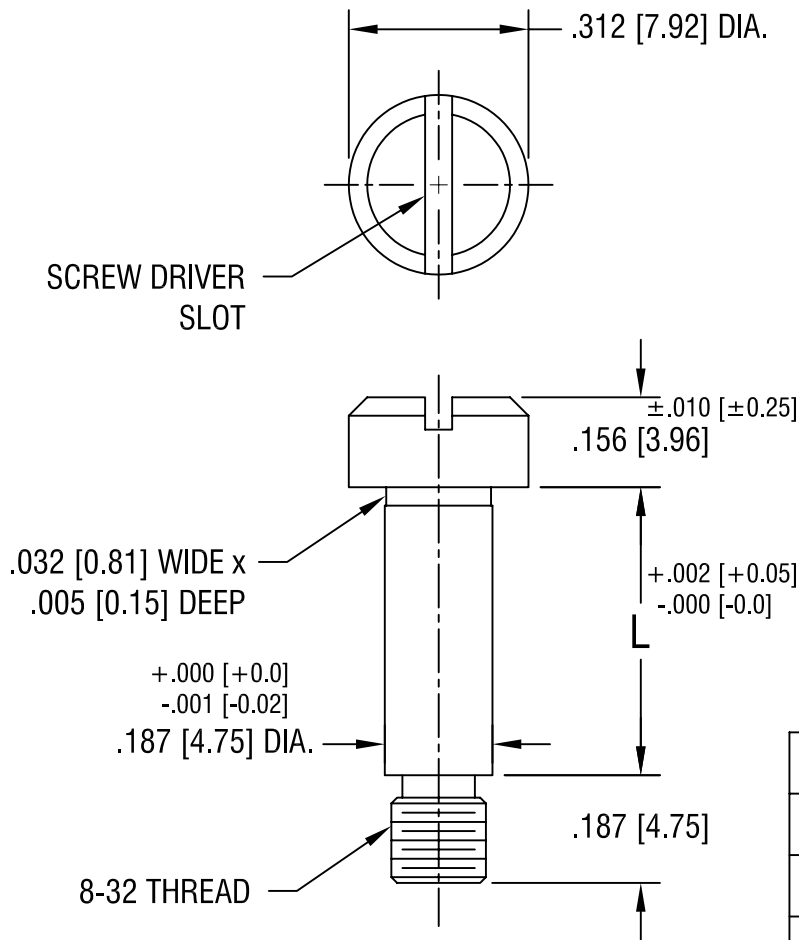


THIS DOCUMENT IS THE PROPERTY OF
KEYSTONE ELECTRONICS CORP. AND
SHALL NOT BE REPRODUCED, DISTRIBUTED
OR USED AS A BASIS FOR MANUFACTURE
WITHOUT PRIOR WRITTEN PERMISSION
FROM KEYSTONE ELECTRONICS CORP.



PART NO.	'L' DIM.
2431	.125 [3.17]
2432	.250 [6.35]
2433	.375 [9.52]
2434	.500 [12.70]
2435	.625 [15.87]
2436	.750 [19.05]
2437	1.000 [25.40]

7.15.08	CHANGE AS PER ECN 08-122	B
11.14.07	CHANGE AS PER ECN 07-081	A
DATE	DESCRIPTION	REV.

KEYSTONE ELECTRONICS CORP.			
ASTORIA, N.Y. 11105-2017			
PART NAME SHOULDER SCREW - SLOTTED			
MATERIAL STAINLESS STEEL			
FINISH -		DRN BY BOONE	DATE 8.16.95
		APP'D	SCALE 3X
TOLERANCES DECIMAL ANGULAR	INCH [MM] ±.005 [±0.15] ± 1°	CODE C/M	DWG NO. 2431-2437
UNLESS OTHERWISE SPECIFIED			