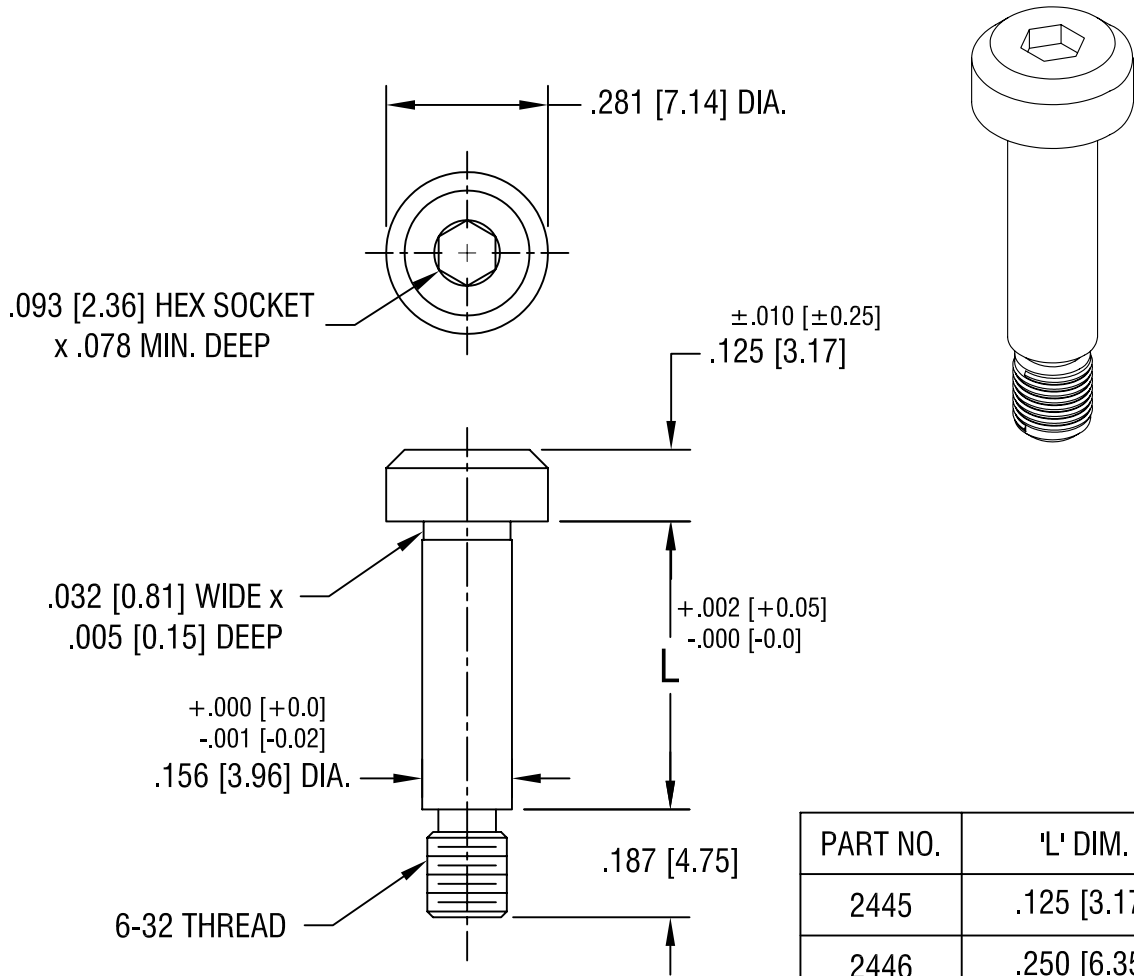


THIS DOCUMENT IS THE PROPERTY OF
KEYSTONE ELECTRONICS CORP. AND
SHALL NOT BE REPRODUCED, DISTRIBUTED
OR USED AS A BASIS FOR MANUFACTURE
WITHOUT PRIOR WRITTEN PERMISSION
FROM KEYSTONE ELECTRONICS CORP.



PART NO.	'L' DIM.
2445	.125 [3.17]
2446	.250 [6.35]
2447	.375 [9.52]
2448	.500 [12.70]
2449	.625 [15.87]
2450	.750 [19.05]

KEYSTONE ELECTRONICS CORP.

ASTORIA, N.Y. 11105-2017

PART NAME

SHOULDER SCREW - SOCKET

MATERIAL

STAINLESS STEEL

FINISH

-

DRN BY

BOONE

DATE

8.16.95

APP'D

SCALE

3X

TOLERANCES

INCH [MM]

DECIMAL ± .005 [± 0.15]

CODE

ANGULAR ± 1°
UNLESS OTHERWISE SPECIFIED

C/M

DWG NO.

2445-2450

DATE	DESCRIPTION	REV.
7.15.08	CHANGE AS PER ECN 08-120	B
11.14.07	CHANGE AS PER ECN 07-079	A