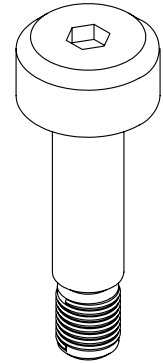
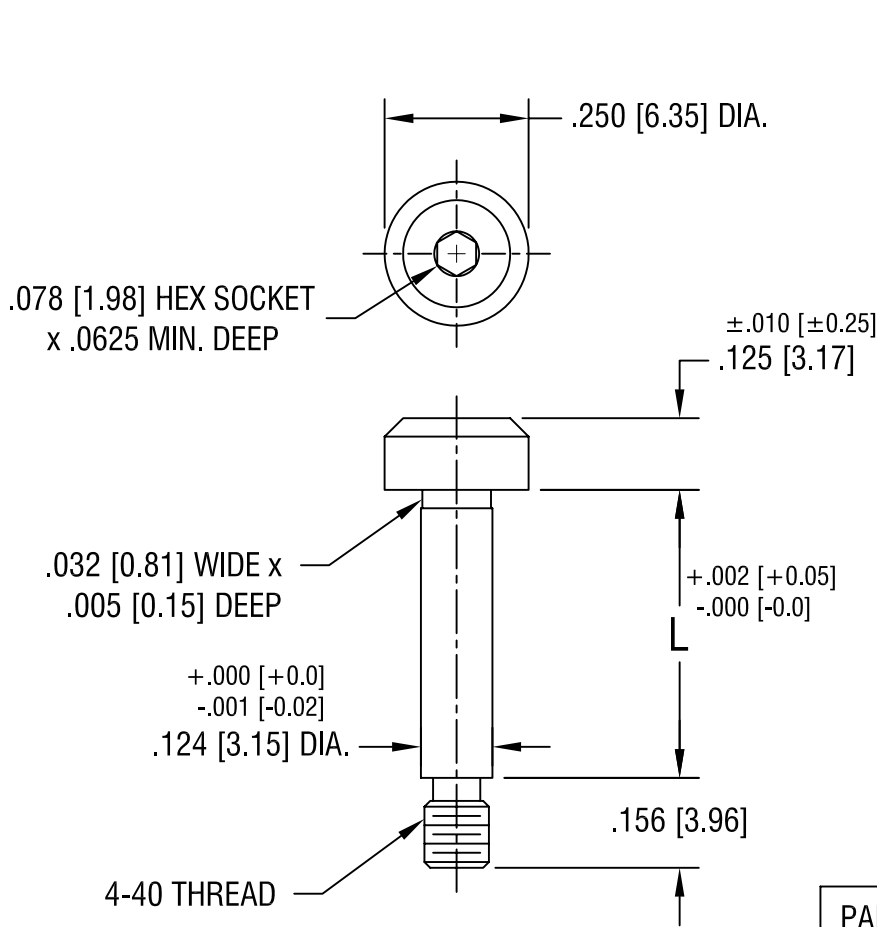


THIS DOCUMENT IS THE PROPERTY OF
KEYSTONE ELECTRONICS CORP. AND
SHALL NOT BE REPRODUCED, DISTRIBUTED
OR USED AS A BASIS FOR MANUFACTURE
WITHOUT PRIOR WRITTEN PERMISSION
FROM KEYSTONE ELECTRONICS CORP.



PART NO.	'L' DIM.
2441	.125 [3.18]
2442	.250 [6.35]
2443	.375 [9.53]
2444	.500 [12.70]

7.15.08	CHANGE AS PER ECN 08-121	C
11.14.07	CHANGE AS PER ECN 07-080	B
3.24.05	CHANGE AS PER ECN 05-019	A
DATE	DESCRIPTION	REV.

KEYSTONE ELECTRONICS CORP.			
ASTORIA, N.Y. 11105-2017			
PART NAME SHOULDER SCREW - SOCKET			
MATERIAL STAINLESS STEEL			
FINISH -		DRN BY BOONE	DATE 8.16.95
		APP'D	SCALE 3X
TOLERANCES DECIMAL ANGULAR UNLESS OTHERWISE SPECIFIED	INCH [MM] ± .005 [± 0.15] ± 1°	CODE C/M	DWG NO. 2441-2444