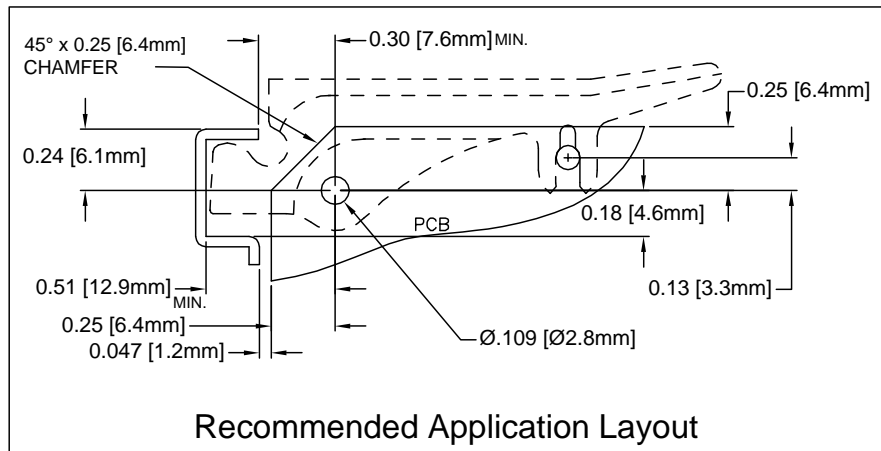
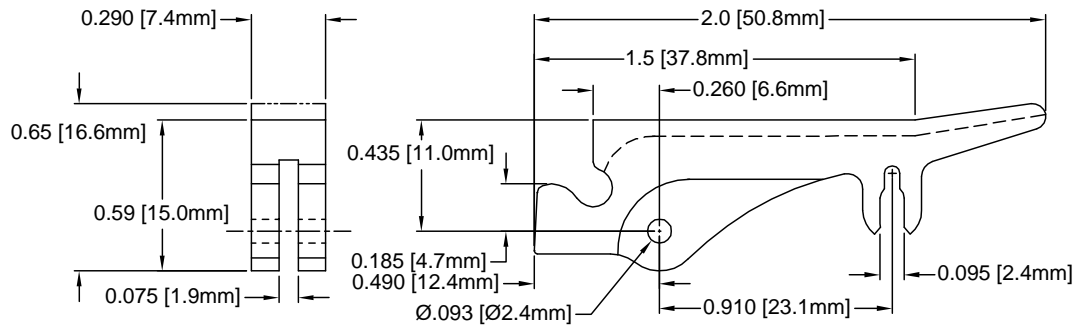


REV.	DESCRIPTION	DATE	APPROVED
B	Engineering Update w/o Changes	02/27/04	M. C.



PART NO.	COLOR
LP1107 NT	NATURAL
LP1107 BK	BLACK

- MATERIAL: NYLON 6/6, 30% GLASS, NATURAL. BIVAR MATERIAL CODE 14-NL.
RTP POLYAMID NYLON 6/6 205 FR SP NATURAL
- MATERIAL: NYLON 6/6, 30% GLASS, BLACK. BIVAR MATERIAL CODE 13-BK.
RTP POLYAMID NYLON 6/6 205 FR SP BLACK
- GENERAL SPECIFICATIONS: BIVAR MOLDED COMPONENT SPECIFICATION BV00-E101.

STANDARD TOLERANCE (UNLESS OTHERWISE SPECIFIED)		BIVAR®	
DECIMALS	ANGULAR	4 THOMAS, IRVINE, CA. 92618 TEL: (949) 951-8808 FAX: (949) 951-3974	
.X ±.1	X° ±1°	TITLE: INSERTER/EXTRACTOR	
.XX ±.01		DESIGNED: Shane Irving	DATE: 11/14/00
.XXX ±.005		CHECKED: M. Chen	DATE: 07/02/02
		PART NO: LP-1107 XX	REVISION: B
		CAGE CODE: 32559	SHEET # 1 OF 1
CAD GENERATED DOCUMENT. DO NOT MEASURE DRAWING.			