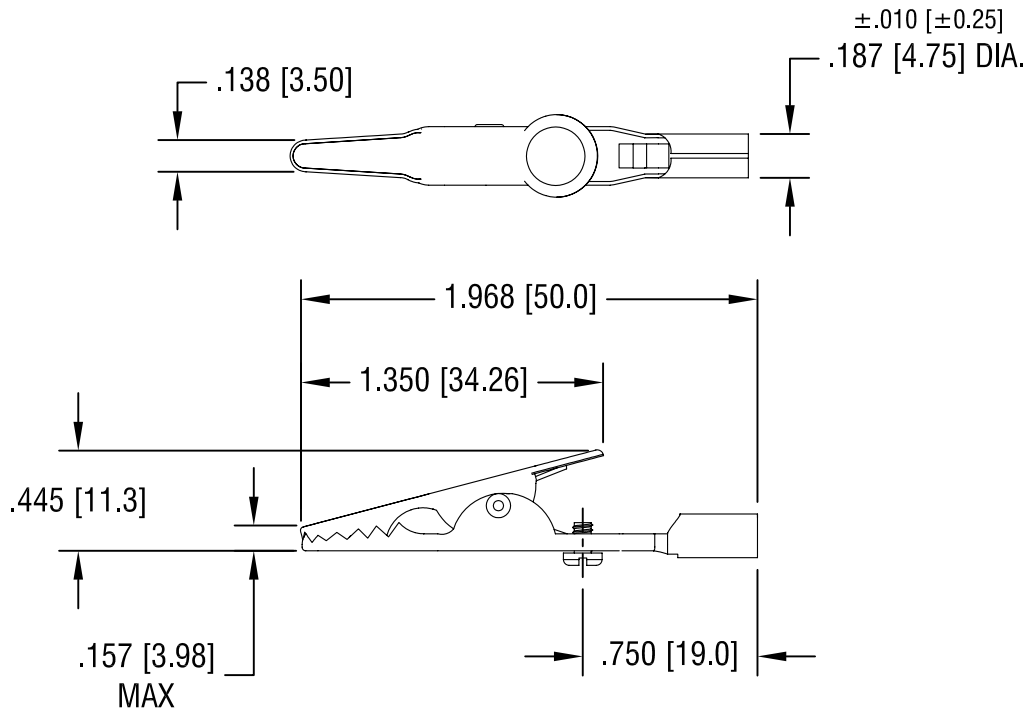
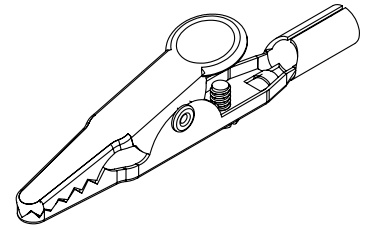


THIS DOCUMENT IS THE PROPERTY OF
KEYSTONE ELECTRONICS CORP. AND
SHALL NOT BE REPRODUCED, DISTRIBUTED
OR USED AS A BASIS FOR MANUFACTURE
WITHOUT PRIOR WRITTEN PERMISSION
FROM KEYSTONE ELECTRONICS CORP.



KEYSTONE ELECTRONICS CORP.

www.keyelco.com • ASTORIA, N.Y. 11105-2017 • Tel (718) 956-8900

PART NAME

LARGE ALLIGATOR CLIP

MATERIAL

STEEL

FINISH

NICKEL PLATE

DRN BY

NT

DATE

10.30.08

APPD

SCALE

1.2X

TOLERANCES

INCH [MM]

DECIMAL ± .020 [± 0.50]

ANGULAR ± 1°

UNLESS OTHERWISE SPECIFIED

CODE

C/M

DWG NO.

5048

DATE

DESCRIPTION

REV.